



# eXtremeRAID™ Installation Guide

**eXtremeRAID 3000  
PCI Fibre Channel  
RAID Controller**







# **eXtremeRAID™ 3000 PCI Fibre Channel RAID Controller Installation Guide**

Part Number 775042-01  
08P4085

**© Copyright 2000 Mylex Corporation.**  
All Rights Reserved.

All contents of this manual are copyrighted by Mylex Corporation. The information contained herein is the exclusive property of Mylex Corporation and shall not be copied, transferred, photocopied, translated on paper, film, electronic media, or computer-readable form; or otherwise reproduced in any way, without the express written permission of Mylex Corporation.

## ***Greetings***

This manual describes the Mylex Global Array Manager Server Software.

Requests for technical information about this and other Mylex Corporation products should be made to your Mylex authorized reseller or Mylex marketing representative.

## ***Please Notice***

IBM, Mylex, RAID EzAssist, DAC960, DAC1100, Global Array Manager, GAM, AcceleRAID, and eXtremeRAID are trademarks or registered trademarks of International Business Machines Corp. and its subsidiaries. MS-DOS, Windows 95, Windows 98, Windows NT, and Windows 2000 are registered trademarks of Microsoft Corporation. Novell and NetWare are registered trademarks of Novell, Inc. SCO, SCO UNIX, and UnixWare are registered trademarks of The Santa Cruz Operation, Ltd. Solaris is a registered trademark of Sun Microsystems, Inc. Linux is written and distributed under the GNU General Public License which means that its source code is freely-distributed and available to the general public. SuSE is a trademark of SuSE Incorporated. Caldera is a trademark of Caldera Systems Incorporated. Red Hat is a registered trademark of Redhat Incorporated. Other names that are trademarks may be used herein for the purpose of identifying the products or services of their respective owners.

Unless otherwise noted, companies, names and data used in examples herein are fictitious.

## ***Our Policy***

Although reasonable efforts have been made to assure the accuracy of the information contained herein, this publication could include technical inaccuracies or typographical errors. Mylex Corporation expressly disclaims liability for any error in this information, and for damages, whether direct, indirect, special, exemplary, consequential or otherwise, that may result from such error, including but not limited to loss of profits resulting from the use or misuse of the manual or information contained therein (even if Mylex Corporation has been advised of the possibility of such damages). Any questions or comments regarding this document or its contents should be addressed to Mylex Corporation at the address shown on the cover.

The following paragraph does not apply to the United Kingdom or any country where such provisions are inconsistent with local law:

**MYLEX CORPORATION PROVIDES THIS PUBLICATION "AS IS" WITHOUT WARRANTY OF ANY KIND, EITHER EXPRESS OR IMPLIED, INCLUDING, BUT NOT LIMITED TO, THE IMPLIED WARRANTIES OF MERCHANTABILITY OR FITNESS FOR A PARTICULAR PURPOSE.**

Some states do not allow disclaimer of express or implied warranties or the limitation or exclusion of liability for indirect, special, exemplary, incidental or consequential damages in certain transactions; therefore, this statement may not apply to you. Also, you may have other rights which vary from jurisdiction to jurisdiction.

Information in this publication is subject to change without notice and does not represent a commitment on the part of Mylex Corporation. Changes may be made periodically to the information herein; these changes will be incorporated in new editions of the publication. Mylex Corporation reserves the right to make improvements and/or changes at any time in the product(s) and/or program(s) described in this publication.

It is possible that this publication may contain reference to, or information about, Mylex Corporation products (machines and programs), programming or services that are not announced in your country. Such references or information must not be construed to mean that Mylex Corporation intends to announce, provide, or make available such Mylex products, programming, or services in your jurisdiction.

## **About This Manual**

This installation guide covers hardware set-up and configuration procedures necessary for the installation of a Mylex eXtremeRAID 3000 Fibre Channel RAID controller.

Chapter 1 describes the controller, standard package contents, and user-supplied items necessary for installation.

Chapter 2 describes the steps to be performed prior to controller installation and the physical installation of the eXtremeRAID 3000 Fibre Channel RAID controller.

Chapter 3 describes controller start-up and the BIOS options.

Appendix A describes the memory and battery backup module.

Appendix B provides hardware and environmental specifications.

Appendix C describes error messages and problem correction.

Appendix D describes the PCI Hot Plug feature.

Appendix E provides enclosure management information.

Appendix F provides regulatory agency information.

## Conventions

Throughout the manual, the following conventions are used to describe user interaction with the product:

prompt      This style of type indicates screen display messages

**Enter**      Press the key labeled “Enter” (or “Delete”, etc.)



### Note

Supplementary information that can have an effect on system performance



### Caution

Notification that a proscribed action has the *potential* to adversely affect equipment operation, system performance, or data integrity



### WARNING

**Notification that a proscribed action will *definitely* result in equipment damage, data loss, or personal injury**

---

# Contents

## Chapter 1

### Introduction

Product Description .....	1-1
Controller Features .....	1-2
Channel Capabilities .....	1-3
Controller Capabilities .....	1-3
Operating System Support .....	1-3
Standard Package Contents .....	1-4
Hardware .....	1-4
Software .....	1-4
User-supplied Items .....	1-5

## Chapter 2

### Installation

Before You Begin .....	2-2
Safety Considerations .....	2-3
Installation Checklist .....	2-4
GET READY .....	2-4
GET SET .....	2-4
GO .....	2-5
Connectors, Jumpers and LEDs .....	2-6
PCI Hot Plug .....	2-6
SCSI Termination .....	2-12
SCSI Cabling .....	2-13
SCSI Drive Preparation .....	2-14
Do Not Mix Narrow and Wide SCSI Drives .....	2-14
Mixing LVD with Single-ended Drives .....	2-14
No Fibre Termination .....	2-14
Fibre Cabling .....	2-15
Fibre Connectors, External .....	2-16
Fibre Drive Preparation .....	2-17

## Chapter 3

### Controller Start-up

BIOS Options .....	3-1
Setting BIOS Options .....	3-2
BIOS Configuration Utility (RAID EzAssist) .....	3-4
Operating System .....	3-4

---

Operating System Device Drivers .....	3-4
Global Array Manager (GAM) Server .....	3-4
Global Array Manager (GAM) Client .....	3-5
In Case of Problems .....	3-5

## Appendix A

### Memory Module and Battery Backup Unit

Product Description .....	A-1
Features .....	A-1
BDIMM Operation .....	A-2
Set-up – Enabling the Write-Back Cache .....	A-2
Battery Backup Capacity .....	A-2
Maintenance .....	A-3
Removing the BDIMM .....	A-3
BDIMM Functional Description .....	A-3
Status Indication .....	A-4
Battery and Charge Circuit .....	A-4
Disposition of Failed Batteries .....	A-4
BDIMM Specifications .....	A-5
On-board Battery .....	A-5
Battery Charge Life .....	A-5
Cache Memory .....	A-5
Module Dimensions .....	A-5
Environmental .....	A-5
Warranty .....	A-5

## Appendix B

### eXtremeRAID 3000 Specifications

General Hardware Specifications .....	B-1
eXtremeRAID 3000 .....	B-1
Environmental Specifications .....	B-2

## Appendix C

### eXtremeRAID 3000 Error Messages

Start-up Error Messages .....	C-1
Drive Check Error Messages .....	C-1
Installation Abort .....	C-2
System Reboot or Power Down .....	C-3



---

**Appendix D**  
**PCI Hot Plug**

Introduction .....	D-1
Implementation .....	D-1
NetWare .....	D-1
Windows NT .....	D-3
Windows 2000 .....	D-3
Windows 64 .....	D-4

**Appendix E**  
**Enclosure Management**

Introduction .....	E-1
SAF-TE .....	E-1

**Appendix F**  
**Regulatory Information**

Class B Compliance .....	F-1
Declaration of Conformity .....	F-2
Declaration of Conformity .....	F-3
Community of Europe .....	F-4
Underwriters Laboratories Statement and Warning .....	F-5

**Glossary**



---

# Chapter 1

## Introduction

This chapter describes:

- The eXtremeRAID™ 3000 controller
- Standard package contents
- User supplied items

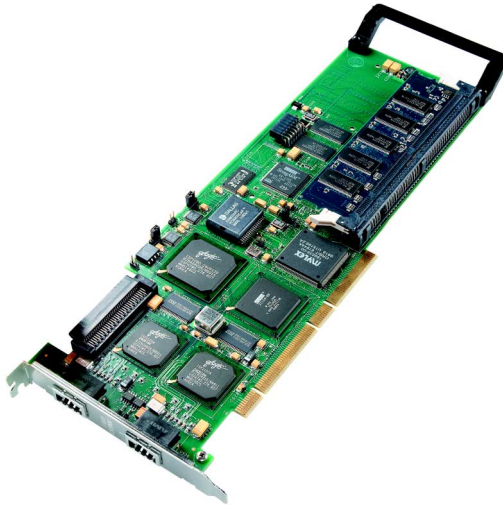


Figure 1-1. eXtremeRAID 3000 Controller

## Product Description

The Mylex eXtremeRAID 3000 controller is a PCI to Fibre Channel RAID controller with 64-bit, 33MHz PCI capability. The eXtremeRAID 3000 supports either one or two external Fibre channel loops at 100 MB/sec per loop, plus one internal Ultra2 SCSI connector and a cache memory battery backup. The eXtremeRAID 3000 controller provides the speed and functionality required by high demand server platforms. eXtremeRAID 3000 achieves performance breakthroughs in Fibre channel RAID technology, eliminates storage bottlenecks, and delivers scalable performance. Enclosure management is a standard feature.

## Controller Features

Features of the eXtremeRAID 3000 controller include:

- Two Q-Logic ISP 2100A chips to support two Fibre loop channels at 100MB/s each
- One Q-Logic ISP 1080 chip to support one Ultra2 SCSI channel at 80MB/s
- StrongArm SA110 at 233MHz RISC processor
- BDIMM memory module with 32MB, 64MB, 128MB, and 256MB ECC SDRAM with a Battery Backup Module (BBM)
- PCI 2.1 and 2.2 compliant (PCI 2.2 required to use hotplug feature)
- 1MB, 8-bit flash EEPROM for BIOS and code
- Built-in configuration utilities (in BIOS)
- Controller redundancy using a shared SCSI bus in a clustering configuration
- Write-back cache support

 **Caution**

If the clustering feature is enabled, write-back should NOT be enabled. However, if clustering is disabled, the write-back can be either on or off.

- PCI Hotplug capability allows the eXtremeRAID 3000 to be swapped with a replacement without powering down the system

 **Caution**

Be sure the motherboard you are using supports PCI Hotplug before attempting to use this feature, or serious damage to the controller and/or the motherboard could result. (You must be PCI 2.2 compliant if using PCI Hot Plug.)

## **Channel Capabilities**

- 126 physical devices per Fibre loop channel
- 15 physical devices per SCSI channel

## **Controller Capabilities**

- 16 physical devices per drive group (array)
- 60 total drive groups
- 256 total physical devices
- 32 total logical drives
- Supports RAID levels 0, 1, 3, 5, 0+1, 10, 30, 50, and JBOD

## **Operating System Support**

MS-DOS 5.x, 6.x, and above are supported using drivers that reside in the eXtremeRAID BIOS. Many other popular operating systems are supported using software drivers in the Disk Array Controller Software Kit that is included with the eXtremeRAID 3000 controller (see the *PCI Disk Array Controller Drivers Installation Guide and User Manual*).

## Standard Package Contents

The following items are supplied with the standard shipping package:

### Hardware

- eXtremeRAID 3000 Disk Array Controller with documentation included on the CD-ROM and a printed Quick Installation Guide
- BDIMM Memory Module (32MB, 64MB, 128MB, and 256MB) with an optional pre-installed battery backup

### Software

- RAID EzAssist disk array controller configuration utility with documentation on CD-ROM and a printed Quick Configuration Guide
- Software Kit Driver with documentation on CD-ROM and a printed PCI Drivers installation guide
- Global Array Manager (GAM) with documentation on CD-ROM

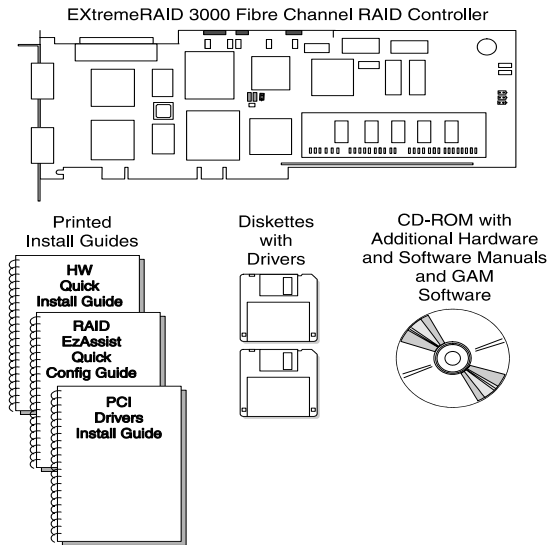


Figure 1-2. Standard Package Contents

## User-supplied Items

The following user-supplied items are required to perform this installation:

### ***SCSI***

- IBM-PC™ compatible host system with PCI slot (PCI 2.1 or PCI 2.2 compliant; you must be PCI 2.2 compliant to use Hop Plug)
- Network operating system software (as required)
- SCSI cables to connect the controller and disk arrays
- Static grounding strap or electrostatic discharge (ESD) safe work area
- Disk array enclosure (or equivalent) with SCSI disk drives

### ***FIBRE***

- HSSDC to DB9 cables to connect the controller and Fibre disk arrays
- Disk array enclosure (or equivalent) with Fibre disk drives





---

# Chapter 2

## Installation

**This chapter describes:**

- **Before you begin**
- **Safety Considerations**
- **Installation Checklist**
- **Connectors, Jumpers, LED's**
- **Installation steps**
- **SCSI drive termination**
- **SCSI cabling, internal ribbon cable only**
- **SCSI drive preparation**
- **Limitations on mixing various SCSI drive types**
- **Fibre drives, no termination**
- **Fibre cabling**
- **Fibre drive preparation**

Mylex disk array controllers are designed to work in a variety of SCSI and Fibre RAID application environments. Certain configuration steps need to be performed prior to installing the controller into a RAID environment. Each of the steps described in this chapter are part of the installation process.

## Before You Begin

Installing the eXtremeRAID 3000 Fibre Channel RAID controller is no more difficult than installing any 32 bit or 64 bit PCI controller. The eXtremeRAID 3000 controller, with two Fibre channels and one internal SCSI channel, connects into any PCI slot on the motherboard. Follow these steps and the installation procedures in this chapter.



### **WARNING**

**Working with the system covers off and power applied to the system can result in shock and serious injury.**

**This controller is furnished with a nonvolatile RAM (NVRAM) chip that uses a sealed lithium battery/crystal module. Replace the module only with the same or equivalent type recommended by the manufacturer.**

**Dispose of the used battery/crystal module according to the manufacturer's instructions. Never incinerate a battery as it could explode and cause serious injury.**

1. Read all of the instructions in this chapter completely before proceeding. Follow the Notes, Cautions, and Warnings described in this manual and marked on the equipment.
2. Power off the system and disconnect the power cables before starting the installation. Refer to the instructions provided in your system documentation. Do not disconnect cables or power cords while system power is on.
3. Follow electrostatic discharge (ESD) safe procedures. Use a grounded wrist strap or ESD safe footwear, and work in an ESD safe area.
4. Perform a safety check of the installation before powering on the system.
  - Make sure that the cabling Pin 1 location is correct and that all cables are firmly seated in the connectors.
  - Make sure all SCSI conventions (cable type, cable length, termination, etc.) are correct, see Table 2-2.

## Safety Considerations

Be sure to observe the following precautions before beginning the controller installation procedure:

 **Caution**

Anti-static handling procedures are required. Leave the controller in its anti-static bag until it is time to plug the controller into the PCI slot. The use of a grounded wrist strap and other ESD protective measures are highly recommended.

 **WARNING**

**Disconnect the system from the electrical wall outlet before opening the system cabinet. Working with the system covers off and power applied to the system can result in shock and serious injury.**

## Installation Checklist

### GET READY

 **Note**

It is recommended that you wear a grounded wrist strap when working with hardware installation procedures.

1. \_\_\_ Decide which available PCI slot will be used.
2. \_\_\_ Remove the plate from the I/O access port to the PCI slot.
3. \_\_\_ Remove the eXtremeRAID 3000 controller from the anti-static bag.

### GET SET

4. \_\_\_ Plug the eXtremeRAID 3000 controller into a standard PCI slot.
5. \_\_\_ Tighten the eXtremeRAID 3000 controller into the mounting bracket.
6. \_\_\_ Connect the SCSI cable from SCSI drive(s) and/or SCSI device(s) to the internal SCSI channel.
7. \_\_\_ Check termination - only for the internal SCSI channel.
8. \_\_\_ Check disk drives. Be sure termination is set to the *disabled* position on any disk drive(s) that will not be terminated. For more information, see the documentation that accompanied the disk drives.
9. \_\_\_ Set SCSI ID on the SCSI disk drive(s).
10. \_\_\_ Enable termination power on SCSI disk drive(s).
11. \_\_\_ Insert the Fibre disk drives into a Fibre Channel Cabinet.
12. \_\_\_ Connect the Fibre HSSDC cable from the Fibre drive(s) to the external Fibre loop channel(s).

 **Note**

Use only Fibre disk drives in your Fibre Channel Cabinet.

13. \_\_\_\_ Safety check the installation.

 **Note**

Review Figure 2-1, Figure 2-2, Figure 2-3 and Table 2-1 to get familiar with the layout of the eXtremeRAID 3000 controller and the Connectors, Jumpers, and LED descriptions.

**GO**

14. \_\_\_\_ Go to Chapter 3, Controller Start-up.

## Connectors, Jumpers and LEDs

There are two Fibre Loop connectors and one internal Ultra2 SCSI channel connector supported on the controller as shown in Figure 2-1.

SCSI jumpers should normally be set to their default settings and no adjustments are needed. Default jumper locations are shown in Figure 2-2. Jumper descriptions are described in Table 2-1.

The controller has eight LEDs that are active indicators while the controller is running. The LEDs indicate SCSI activity, single ended mode, Fibre activity, LVD mode, host activity, cache dirty status, diagnostic status, and Fibre channel 1 activity. The eXtremeRAID 3000 controller LED locations and meanings are shown in Figure 2-3.

When you have checked the SCSI channel termination requirements, and completed the connections of internal SCSI devices and other possible devices such as a CD-ROM drive or a tape drive, cover your system and proceed to the Fibre channel connections.

There are two external Fibre loops (channels) supported on the controller as shown in Figure 2-10. Fibre connections will be discussed after the SCSI information.

## PCI Hot Plug

### Note

Please see Appendix D for information on how to implement the Hot Plug feature for your system's requirements.

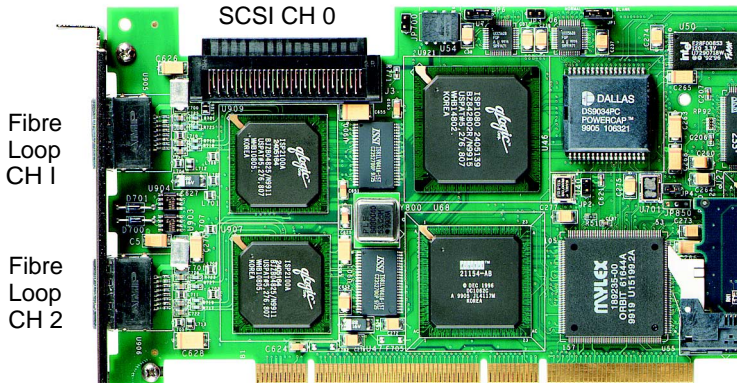


Figure 2-1. eXtremeRAID 3000 Controller with Connectors

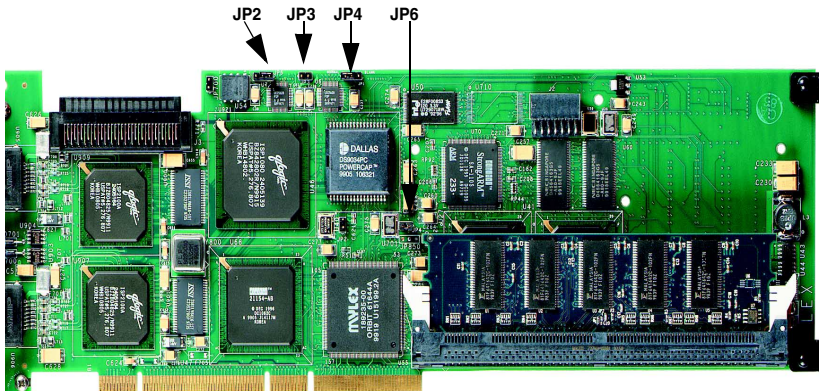


Figure 2-2. eXtremeRAID 3000 Controller with Jumpers (front side)

Table 2-1. Jumper Descriptions

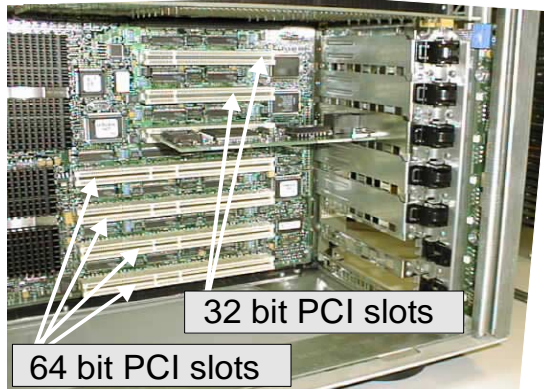
Jumper	Description	Default Setting
JP2	pins 1-2 for ARM Proc, pins 2-3 for I2O	1-2
JP3	Manufacturing	off
JP4	pins 1-2 normal, pins 2-3 blank ROM mode	1-2
JP6	Manufacturing	off





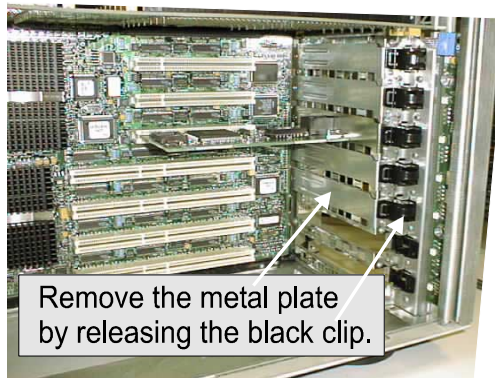
Follow these installation steps:

1. Choose any available 32 bit or 64 bit PCI slot as shown in Figure 2-4.



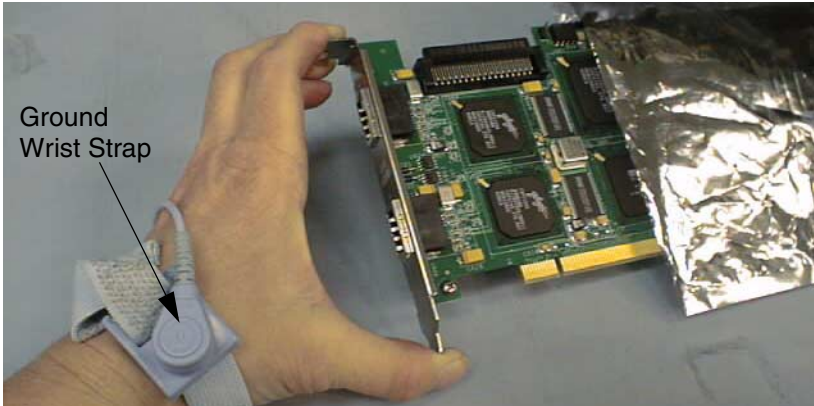
**Figure 2-4. Choose an Available PCI Slot**

2. Remove the metal cover plate from the slot's access port (usually at the back of the cabinet) by releasing the black clip as illustrated below shown in Figure 2-5.



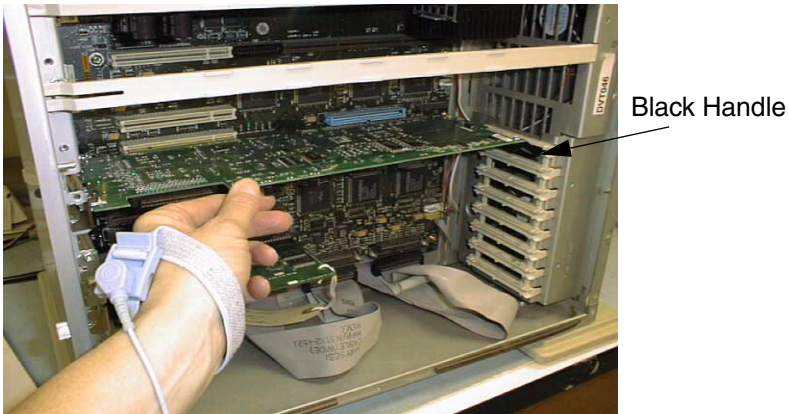
**Figure 2-5. Remove the Metal Plate**

3. Remove the eXtremeRAID 3000 controller from the anti-static bag as shown in Figure 2-6. Always handle the controller by the edges and wear a ground wrist strap.



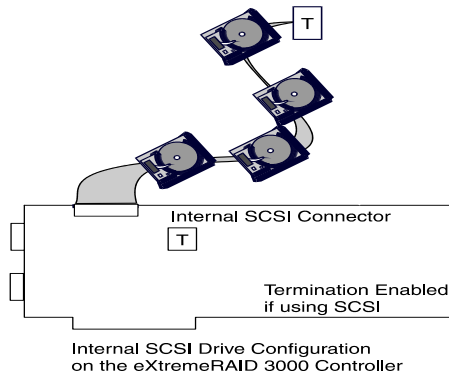
**Figure 2-6. Remove the controller from the Anti-static Bag**

4. Plug (install) the controller firmly into the any 32 bit or 64 bit PCI slot and wear a ground wrist strap as shown in Figure 2-7. Notice that the black handle must fit into the side slot for a proper fit.



**Figure 2-7. Plug the Controller into any 32 bit or 64 bit PCI Slot**

5. Connect the SCSI cables from the internal disk drives to the SCSI connector on the eXtremeRAID 3000 controller, as shown in Figure 2-8. (The controller is already connected to the system board.) If necessary, refer to Table 2-2 on page 13 for SCSI formats and bus lengths.



**Figure 2-8. eXtremeRAID 3000 SCSI Termination Example**

**Note**

In order to ensure an error free environment, the proper cable type designed for a certain SCSI speed must be used.

**Note**

The internal SCSI channel on the eXtremeRAID 3000 is designed to handle internal disk drives and other devices such as a CD-ROM drive or a tape drive.

## SCSI Termination

Each end of a SCSI bus must be terminated to maintain proper voltage levels for SCSI control and data signals. The device used for this purpose is called a terminator, and it can be built into a controller, a SCSI peripheral device, or it can be a plug placed on the connector at the very end of a SCSI bus.

The eXtremeRAID 3000 controller is equipped with SCSI termination control circuitry. The eXtremeRAID 3000 controller's termination is set to be ON all the time. The controller can also detect whether single-ended (SE) or low-voltage differential (LVD) termination is required, and can set the on-board termination type as needed.

The end of the SCSI bus farthest from the controller must be terminated if SCSI devices are connected to the SCSI channel. See Figure 2-8 for an example of a SCSI device configuration connected to the internal SCSI channel.

### Note

When connecting SCSI devices, it is better to terminate the ends of the SCSI bus itself than it is to terminate the end devices on the bus. This allows hot swap devices to be added or removed from the SCSI bus without affecting termination.

## SCSI Cabling

The controller supports one internal Ultra2 SCSI channel which can support up to 15 SCSI devices.

### LVD Mode

The controller supports Ultra2 SCSI with LVD. If all drives attached to a controller drive channel support Ultra2 SCSI with LVD, then that channel will operate at 80MB. This setup allows a maximum SCSI bus length of up to 12 meters.

### Note

The SCSI bus length can be extended up to 25 meters if only the controller and one drive are on the bus in a point-to-point configuration.

### Single-ended Mode

If any device on the channel does *not* have LVD electrical characteristics, the channel will revert to single-ended operation mode. The SCSI bus lengths will then be limited to the single-ended bus lengths shown in Table 2-2.

Table 2-2. SCSI Formats and Bus Lengths

SCSI Trade Association (STA) Terms	Bus Speed, MB/Sec, Max.	Bus Width, Bits	Max. Bus Length, Meters		Max. Device Support (Including Controller)
			Single-ended	Low-Voltage Differential	
SCSI-1	5	8	6	-	8
Fast SCSI	10	8	3	-	8
Fast Wide SCSI	20	16	3	-	16
Ultra SCSI	20	8	1.5	-	8
Ultra SCSI	20	8	3	-	4
Wide Ultra SCSI	40	16	-	-	16*
Wide Ultra SCSI	40	16	1.5	-	8
Wide Ultra SCSI	40	16	3	-	4
Ultra2 SCSI	40	8	Not Defined	12†	8
Wide Ultra2 SCSI	80	16	Not Defined	12†	16

\* The Maximum number of devices allowed on a Wide Ultra SCSI bus is 8, unless bus extender technology is used.

† This length can be extended to 25 meters if there are only 2 devices (e.g., the controller and one drive) on the bus in a point-to-point configuration.

## SCSI Drive Preparation

To prepare the drives for installation, follow these steps:

1. Remove any terminators attached to the drive or set any drive termination jumpers to the *disabled* position.
2. Set the SCSI IDs on the drives.
3. Enable term power on the drives.

Refer to the drive manual for specific information about drive configuration settings.

## Do Not Mix Narrow and Wide SCSI Drives

### Note

There is only one internal SCSI channel available to connect SCSI devices. It is recommended not to mix narrow and wide SCSI devices on this channel. In some cases, this may cause signal degradation.

## Mixing LVD with Single-ended Drives

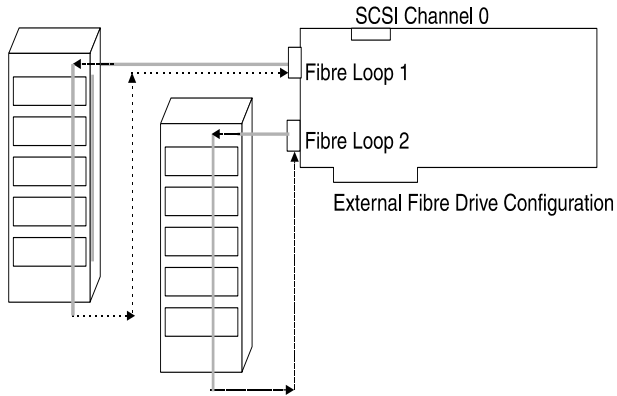
If LVD capable drives are installed on a channel with single-ended devices, all drives on the channel will operate as if they were single-ended devices. This will also limit the bus length to the single-ended bus length specified in Table 2-2.

## No Fibre Termination

### Note

Fibre channels do not require termination; therefore, no manual termination settings are needed. The Fibre Channel Cabinet<sup>1</sup> automatically handles Fibre channel setup requirements.

- 
1. Check the manufacturer's documentation for the Fibre Channel Cabinet that you are using.



**Figure 2-9. Fibre External Drive Configuration**

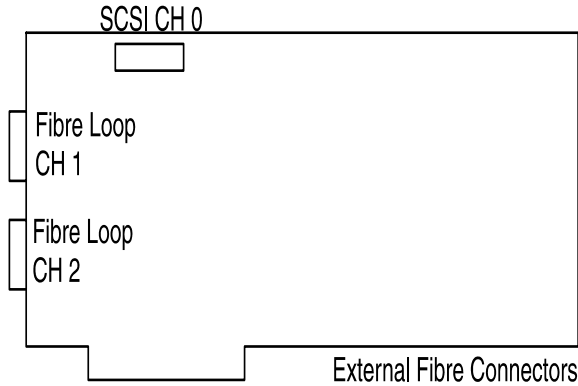
### **Fibre Cabling**

The eXtremeRAID 3000 controller supports two Fibre loops; each Fibre loop supports up to 126 devices.

When connecting Fibre devices, you are allowed a maximum cable length of 20 meters per hop. A hop is the distance between any two devices.

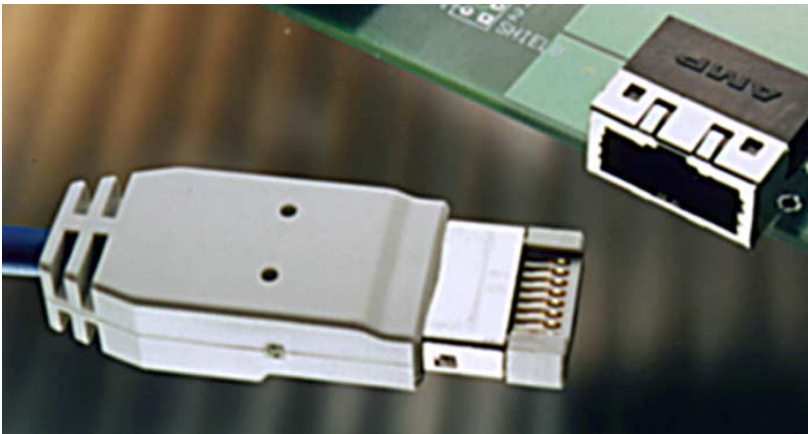
## Fibre Connectors, External

The external Fibre connectors are on the controller's High Speed Serial Data Connectors (HSSDC), as shown in Figure 2-10.



**Figure 2-10. eXtremeRAID 3000 Controller External Connectors**

The cables should have the HSSDC at one end to be attached to the controller and either HSSDC or DB9 connector on the other end, depending on the external Fibre devices. An illustration of an HSSDC is shown in Figure 2-11.



**Figure 2-11. Fibre Cable–HSSDC**



## Fibre Drive Preparation

To prepare the drives for installation, follow these steps:

1. Set up your Fibre Channel Cabinet according to the manufacturer's instructions.

 **Note**

Use only Fibre disk drives in your Fibre Channel Cabinet.

2. Refer to the Fibre drive manual for specific information about drive configuration settings.
3. Place the Fibre drives into your Fibre Channel Cabinet.
4. The Fibre Channel Cabinet usually handles Fibre ID addresses automatically.



---

# Chapter 3

## Controller Start-up

This chapter describes:

- BIOS Options
- BIOS Configuration Utility (RAID EzAssist)
- Operating System, Device Drivers, GAM
- What to Check in Case of Problems

This chapter describes the eXtremeRAID 3000 RAID controller start-up procedures and messages produced by the BIOS during start-up or re-boot. This chapter also explains three BIOS options that are available for configuring controller operation.

### BIOS Options

After physically installing the controller and connecting the cabling, do the following if you need to set or modify the BIOS options (see “Setting BIOS Options” later in this chapter for details):

1. Power on the computer.
2. Watch the messages on the screen for the following prompt to be displayed:

Press <ALT-M> for BIOS options

3. Press **Alt-M** to get into the *BIOS Options* menu.
4. The *BIOS Options* menu provides the following items to choose from:

BIOS options
<b>BIOS enabled</b>
CD-ROM boot disabled
2 GB drive geometry

5. To select any of the items in the menu, highlight the selection with the **Up Arrow** or **Down Arrow**. Press **Enter** to toggle any of the 3 items.

#### Note

BIOS must be enabled to toggle the CD-ROM boot and the Drive geometry parameters.

## Setting BIOS Options

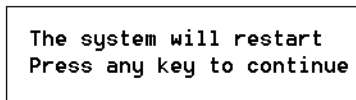
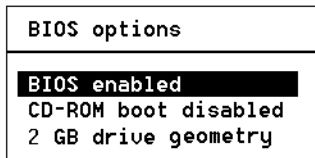
The available BIOS options are:

- BIOS disabled/enabled
- CD-ROM boot disabled/enabled
- 2GB/8GB drive geometry

### ***BIOS Disable or Enable***

This option must be enabled in order to toggle the CD-ROM boot and the drive geometry parameters shown in the BIOS Options menu. The BIOS must also be enabled in order to boot from any device (e.g., CD-ROM) or system drive configured on the controller, or to access any DOS partition on any drive configured on the controller.

When BIOS Disable or Enable is selected, the following message will be displayed. Pressing any key will restart the system.



### ***CD-ROM Boot Disable or Enable***

The default for this option is for the CD-ROM boot to be disabled (e.g., the system will boot from a hard drive, even if there is a bootable CD installed). If the CD-ROM boot option is enabled, and if a bootable CD is installed in the CD-ROM drive, the system can boot from the CD.

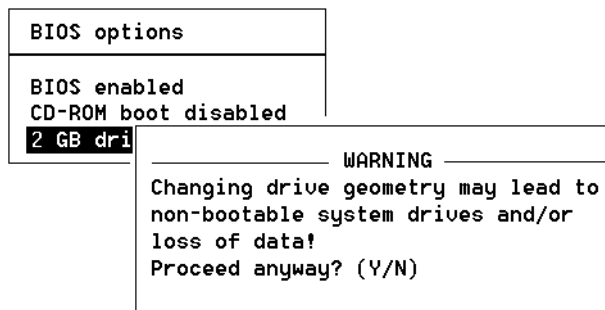
If the CD-ROM boot option is enabled, the CD-ROM will take priority over the disk drives. For example, under MS-DOS, the disk drive that is normally *Drive C* will become *Drive D*. All subsequent drive IDs will similarly be moved down.

## Enable 8GByte or 2GByte Drives

This setting affects how the BIOS reads the disk drives for the boot partition. Drive geometries can be toggled between 8 GB and 2 GB. The default is 2 GB. When the drive geometry is changed, the drive should be formatted at the operating system level.

### **Caution**

Changing this setting after data has been stored will make the data unreadable. If you have already configured your array and have stored data, you should *not* change this setting.



The default BIOS geometry of the controller is set to 2 GB. This means that the BIOS can only access the first 2 GB of any drive that has been configured on the controller. This is adequate in most applications, since BIOS is only used to boot the operating system. However, it does mean the operating system must be installed in the first 2 GB of the capacity of the configured drive. If this is not adequate, the BIOS geometry can be changed to 8 GB, allowing the BIOS to access the first 8 GB of capacity.

As a rule of thumb, select 8 GB geometry if the following two cases apply:

1. You have a system (RAID) drive that is greater than 2.145 GB in capacity.
2. The DOS/Windows compatible partitions could be located in an area above the first 2.145 GB.

Otherwise the 2 GB option is fine.

 **Note**

In the event that the RAID controller needs to be replaced, the current drive geometry will be restored from the configuration on disk (COD).

## **BIOS Configuration Utility (RAID EzAssist)**

RAID EzAssist is the on-board BIOS Configuration Utility used to build several types of RAID configurations.

Refer to the *RAID EzAssist Configuration Utility User Reference Guide* or *RAID EzAssist Configuration Utility Quick Configuration Guide*.

## **Operating System**

If an operating system is not already installed on the system, it can be installed on a system disk on the controller. The operating system is installed along with the operating system device drivers.

## **Operating System Device Drivers**

Device drivers that are compatible with the controller can be found in the Software Kit. For details on how to install and load drivers, refer to the *PCI Disk Array Controller Drivers Installation Guide and User Manual*.

## **Global Array Manager (GAM) Server**

The Global Array Manager Server software supports a variety of operating systems. For details on how to install GAM Server, refer to the *Global Array Manager Server Software Installation Guide and User Manual*.

## Global Array Manager (GAM) Client

The controller can be configured using Global Array Manager Client. GAM Client can also be used from the server or a system client to monitor status and verify data integrity of disks connected to the controller while the system and disks are running.

For details on how to install and run GAM Client, refer to the *Global Array Manager Client Software Installation Guide and User Manual*.

## In Case of Problems

If problems are encountered during start-up, check the following (the SCSI reference is to be considered for the internal SCSI channel only):

- Check cable length. This includes internal bus lengths in enclosures.
- Check SCSI cabling for loose connections, pin mismatches (make sure pin 1 on the cable matches pin 1 on the connector), bent pins, and damaged or crossed cables.
- Check termination (only applies to the one SCSI channel).
- Check SCSI IDs on the drives connected to the SCSI channel.





# Appendix A

## Memory Module and Battery Backup Unit

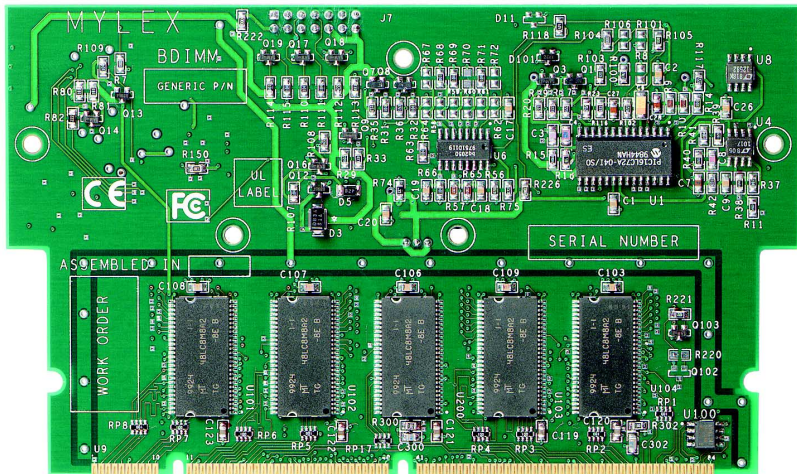


Figure A-1. BDIMM Module

## Product Description

The Battery Dual Inline Memory Module (BDIMM) is a cache memory module that maintains data integrity in the event of a power failure. The battery backup portion of this module monitors the write back cache on the eXtremeRAID 3000 controller and provides power to the cache if it contains data not yet written to the drives when power is lost.

The controller, with the BDIMM installed, occupies only one PCI slot on the host backplane.

## Features

Some of the features of the BDIMM include:

- Gas gauge circuit for battery charge monitoring
- Quick charge to replenish a drained battery
- SDRAM on the BDIMM module

## BDIMM Operation

This BDIMM consists of 32MB, 64MB, 128MB, and 256MB of ECC<sup>1</sup> SDRAM cache memory, a lithium Ion battery, a charging circuit, and power monitoring circuitry. The controller is shipped with the BDIMM installed or with standard DIMM memory, without a Battery Backup Module (BBM).

### Set-up – Enabling the Write-Back Cache

Maximum RAID performance is achieved when the cache is in write-back mode. The write-back cache is enabled by toggling the write-back/write-through mode switch. The write-back/write-through mode switch is accessed using RAID EzAssist (the BIOS Configuration Utility), or in GAM. Refer to the *RAID EzAssist Configuration Utility User Reference Guide* or the *Global Array Manager Client Software Installation Guide and User Manual* for instructions on how to examine and change the mode switch.

### Battery Backup Capacity

The battery backup's capacity varies with the cache memory capacity used. In the event of a power failure, the battery backup can be expected to maintain cache data integrity for the periods of time shown in Table A-1. For more detailed information about battery duration, please see "Battery Charge Life" later in this chapter.

*Table A-1. Battery Backup Capacity*

Memory Size	Approximate Battery Charge Life
32MB	168 hours
64MB	110 hours
128MB	60 hours
256MB	36 hours

---

1. ECC = Error Correction Code

## Maintenance

No maintenance is required. It is recommended that the BDIMM charge level be periodically checked using the Gas Gauge function in GAM (see the *Global Array Manager Client Software Installation Guide and User Manual*).

## Removing the BDIMM

The BDIMM only needs to be removed if the Lithium-Ion battery no longer accepts a charge properly (Lithium battery life expectancy is approximately 1-1/2 years), or if the BDIMM is being salvaged from a controller that has failed.



### **WARNING**

**For battery service, please contact Mylex or your authorized dealer for repairs. Batteries are not user serviceable or replaceable.**

## BDIMM Functional Description

Whenever the system is running, the BDIMM's battery backup circuitry is standing by, monitoring the voltage level supply of 3.3 V. In the event of a power failure, the supply voltage level will begin to drop. When the battery backup circuitry detects this voltage drop, it checks the status of the disk cache. If the cache is empty, the battery backup circuitry does nothing.

If the cache contains data during a power failure, the BDIMM's battery backup circuitry will maintain cache data integrity until the power is restored. When power is restored and the system finishes the bootstrap process, the cache contents will be written to the disk array. The cache contents will then be flushed from the cache.

## Status Indication

Battery status can be checked, and the battery can be reconditioned, or charged using the Intelligent Battery Backup Unit dialog box in Global Array Manager Client. This is accessed by selecting the Intelligent BBU option the Administration menu.

Please refer to the *Global Array Manager Client Installation Guide and Users Manual*.

## Battery and Charge Circuit

### ***On-board Battery***

The on-board battery is rated at 4.1 V with a capacity of 900 mAH. The BDIMM has a DC-DC converter that converts 4.1 V to 3.3 V, which is the nominal voltage required for the cache.

### ***Battery Charger***

Battery charging is automatically handled by the BDIMM. No manual preconditioning needs to be performed by the user. If the battery capacity falls below a predetermined level (which is likely to happen after a power failure), the battery charger goes into a quick charge mode. Charger will operate within 0°C to +45°C.

## Disposition of Failed Batteries

Currently, requirements for disposal or recycling of rechargeable Lithium-Ion batteries are under consideration by many agencies, both local and international. Lithium-Ion batteries should not be punctured or incinerated (the electrolyte can generate steam and cause the gas to explode).

The battery on the BDIMM contains the following text:

“Li-Ion Battery. Must be disposed of properly.”

Contact your local authorities to determine the appropriate method of disposal.

## BDIMM Specifications

### On-board Battery

#### *Electrical Properties*

- One Lithium-Ion cell, 4.1 V @ 900mAh

#### *Physical Description*

- Nominal pack size (in inches): 1.55(L) x 1.55(W) x 0.375 (H)

### Battery Charge Life

#### *Under typical conditions (35°C), minimum specified backup duration*

- Approximately 168 hours with 32MB
- Approximately 110 hours with 64MB
- Approximately 60 hours with 128MB
- Approximately 36 hours with 256MB

#### *Under less than typical conditions (45°C), minimum specified backup duration*

- Approximately 144 hours with 32MB
- Approximately 96 hours with 64MB
- Approximately 48 hours with 128MB
- Approximately 30 hours with 256MB

### Cache Memory

32, 64, 128, or 256MB of SDRAM

### Module Dimensions

- Length: 5.85 inches
- Width: 3.5 inches

### Environmental

- |             |                |  |
|-------------|----------------|--|
| Temperature | Operating:     | 0°C to + 45°C<br>(+32°F to 113°F)                |
|             | Storage:       | -40°C to + 60°C<br>(-40°F to + 140°F)            |
| Humidity    | Operating:     | 10% to 90%<br>relative humidity (non-condensing) |
|             | Non-operating: | 10% to 90%<br>relative humidity (non-condensing) |

### Warranty

1 1/2-Year, on the battery



---

# Appendix B

## eXtremeRAID 3000

### Specifications

## General Hardware Specifications

### eXtremeRAID 3000

<b>Controller</b>	<b>eXtremeRAID 3000</b>
CPU	StrongARM™ SA110 32-bit microprocessor, 233MHz
Code /Program Memory	32MB, parity protected
Cache Memory	32MB, 64MB, 128MB, and 256MB SDRAM installed on a BDIMM module containing a battery with backup circuitry for power fail protection of data.  Write: Selectable, Write-Through or Write-Back Error Protection: ECC (Error Checking and Correction)
Firmware	ROM Type, Flash EEPROM, 1MB x 8
PCI	64/32-bit, 33MHz–Host 64/32-bit, 33MHz–Internal PCI
SCSI	Supports one QLogic Ultra2 LVD ISP1080 PCI to Ultra2 SCSI I/O Processors
Fibre	Supports up to two QLogic ISP2100A PCI to Fibre Channel I/O processors

## Environmental Specifications

<b>Controller</b>	<b>eXtremeRAID 3000</b>	
Temperature	Operating	0°C to +50°C (+32°F to +122°F)
	Storage	-20°C to +70°C (-4°F to +158°F)
Humidity	Operating	10% to 90% relative humidity (non-condensing)
	Storage	10% to 90% relative humidity (non-condensing)
Altitude	Operating	Up to 3,048m (10,000 ft )
	Storage	Up to 15,240m (50,000 ft)
Form Factor	Length:	12.280 inches
	Width:	4.750 inches
	Maximum. Component	0.105 inches on the solder side of the controller
	Height:	0.570 inches on the component side of the controller
Typical Power Consumption	at 5.25v	3.5A (17.5W) with 64MBytes SDRAM
	at 4.75v	3.0A (15.0W) with 64MBytes SDRAM
MTBF		244,547 hours at 55°C



---

# Appendix C

## eXtremeRAID 3000 Error Messages

### Note

The firmware you are using may have these messages turned off. However, they are listed here for your reference.

### Start-up Error Messages

The BIOS looks for any initialization message posted by the firmware during the start-up sequence. If a message is found, one of the following errors displays on screen and the installation process aborts.

```
EXR3000 fatal error--Memory test failed!  
EXR3000 fatal error--Command interface test failed!  
EXR3000 hardware error--Run Diagnostics to pinpoint  
error  
EXR3000 firmware checksum error--Reload firmware  
EXR3000 Mismatch between NVRAM & Flash EEPROM  
configurations!
```

### Drive Check Error Messages

If mismatches are found, then, the BIOS prints out the following:

```
eXtremeRAID 3000 Configuration Checksum error--Run  
configuration utility!
```

If the firmware detects that during the last power cycle the system was turned off abruptly leaving some incomplete write operations, the following message appears:

```
Recovery from mirror race in progress  
WARNING: Dead SCSI devices (Channel Target) : x:y
```

The following messages may also appear:

```
EXR3000 cannot recover from Mirror Race!  
Some system drives are inconsistent!
```

During the initialization, if the firmware fails to respond to the BIOS inquiry within two minutes, the following message displays:

```
EXR3000 not responding--no drives installed!
```

The BIOS then inquires the firmware for its version number and other information, and prints out the following message:

```
EXR3000 Firmware Version x.xx
```

One or more of the following messages will be displayed if the firmware reports the following conditions:

```
Warning: X system drives offline
```

```
Warning: X system drives critical
```

```
WARNING: Dead SCSI devices (Channel : Target) : x:y
```

```
No system drives installed
```

```
X system drives installed
```

The BIOS repeats the same process for additional RAID controllers present in the system. Then it proceeds to boot, if possible, from the first system drive on the first controller.

## Installation Abort

With Firmware 6.x, the installation aborted message is displayed when the BIOS finds that the configuration of the disk drives, as stored in the NVRAM and configuration on disk, is different from what it senses at boot time. When this happens, (and a brand new installation is not being attempted) the cause is often a faulty cable or drive, or a loose connection. Check all of the connectors, cables, drives, and try to boot. If the error persists, it most likely indicates a genuine failure and needs to be corrected. To correct it, boot and run the on-board BIOS Configuration Utility, RAID EzAssist (see Chapter 3). For more information, refer to the *RAID EzAssist Configuration Utility User Reference Guide* or *RAID EzAssist Configuration Utility Quick Configuration Guide*.

With Firmware 6.x, if the BIOS displays a mismatch in the Configuration on Disk (COD) on all drives, then there will be an “install abort”—no drives will be installed. Normally this error will not be displayed. If it is, boot and run RAID EzAssist, the on-board Mylex Disk Array Configuration Utility (see Chapter 3) to recover from the error. For more information, refer to the *RAID*

*EzAssist Configuration Utility User Reference Guide or RAID EzAssist Configuration Utility Quick Configuration Guide.*

## **System Reboot or Power Down**

Status messages may also be available from LED indicators connected to the controller. The Cache Dirty indicator is especially important when preparing to power-down the system.

The eXtremeRAID 3000 RAID controller is a caching controller with 32MB, 64MB, 128MB and 256MB of cache memory, data may still be in the cache waiting to be written to the disk drives, when the system reports that a write command was completed. It is *very important* to make sure that all data is written to the disk before rebooting or powering down the system, or you may lose data. It is always a good idea to wait for 60 seconds or until system activity stops before resetting or rebooting the system.



---

# Appendix D

## PCI Hot Plug

### Introduction

PCI Hot Plug is a feature that allows a PCI card to be replaced while the host system is still running. The term “Hot Plug” is somewhat misleading; the PCI card cannot simply be pulled out of the host system while the card is operating without risk to the card, the system, and the data on the system.

In order to replace a Hot Plug PCI card, a software command must be invoked to power off the card slot before the card can be removed. After the software indicates that the card is unloaded and the slot is powered off, a physical card retainer/switch must be released to allow the card to be removed from the PCI bus. At this point, the card can be replaced.

At this time, Mylex only supports Hot Replacement of PCI Hot Plug cards. Future releases are planned to support Hot Upgrade or Hot Expansion (adding a card).

### Implementation

Aside from the general terms previously mentioned, PCI Hot Plug implementation is specific to the host hardware platform and the operating system running on it. Refer to your host system's documentation for specific details on how to implement PCI Hot Plug.

### NetWare

When NetWare is installed on a system capable of PCI Hot Plug, the following four modules are installed:

- `cpqsbd.nlm` –This is the Compaq system bus driver (a different driver will be needed for a platform other than Compaq).
- `ncm.nlm` –This is the Novell Configuration Manager, which manages the PCI Hot Plug system.
- `ncmcon.nlm` –This is the Hot Plug user interface called the Novell Configuration Manager Console.

- `odineb.nlm` –This is a module combining the Open Data-link interface and the Novell Event Bus (NEB). The NEB controls the device drivers through the Open Data-link.

If the NetWare installation process determines that the server supports PCI Hot Plug and detects the appropriate driver, the installation process adds the following two LOAD commands to the `autoexec.ncf` file:

- `LOAD sys:\system\driver_name`

This command loads the bus driver (for Compaq, this is `cpqsbd.nlm`). After this command is executed, NetWare autoloads `ncm.nlm`.

- `#LOAD sys:\system\ncmcon.nlm`

This command loads the Novell Configuration Manager Console, which then loads `odineb.nlm`. These commands can also be executed at the server console prompt.

 **Note**

This command is commented out. If you want the Configuration Manager Console to be loaded every time the system is started, remove the pound sign (#) at the beginning of the line.

Perform the following steps:

1. Install NetWare 5 Service Patch 1.
2. Install the Mylex GAM DMI driver.
3. Restart the server. The `autoexec.ncf` will execute and it will load the drivers and start `ncmcon.nlm` (the PCI Hot Plug user interface).

 **Note**

If any LOAD line is commented out in `autoexec.ncf`, the corresponding driver can be loaded manually by executing the LOAD command (as listed in `autoexec.ncf`) at the server console prompt.

## Windows NT

Windows NT requires additional software from the vendor who makes the system. Since this software is not a part of NT, the software needs to be installed after the operating system is loaded. Refer to your system or server vendor's PCI Hot Plug documentation.

### **Caution**

GAM drivers can stop PCI Hot Plug Boards from unloading. If this problem occurs, stop GAM and unload the GAM drivers before attempting to unload the PCI Hot Plug controller.

### **Known Windows NT Issues**

- Mylex Software Kit 2.1 or greater is required to support your system vendor's PCI Hot Plug utility.
- The *macdisk.sys* driver should not be loaded with a Mylex PCI Hot Plug board; if *macdisk.sys* is loaded the system will hang upon shutdown.
- When you install a Mylex card as a boot device and a Mylex Driver has been installed prior to the installation of the Windows NT OS, NT will not recognize the Mylex card as a PCI Hot Plug device. To fix this, the driver must be reinstalled, and the system rebooted.

This problem occurs because PCI Hot Plug information does not get loaded into the Windows NT registry for the Mylex controller upon installation of Windows NT.

## Windows 2000

Windows 2000 supports the PCI Hot Plug capability. No additional software is required.

Please refer to the Windows 2000 documentation for instructions on how to use the PCI Hot Plug feature.

## **Windows 64**

The released version of Windows 64 is intended to support the PCI Hot Plug capability. No additional software is required.

Please refer to the Windows 64 documentation for instructions on how to use the PCI Hot Plug feature.



---

# Appendix E

## Enclosure Management

### Introduction

Mylex's eXtremeRAID controllers support the industry standard enclosure management protocol *SCSI Accessed Fault-Tolerant Enclosures* (SAF-TE). This feature allows the host to monitor drive enclosures and detect certain faults or operating environment conditions. The host can make a decision to shut down the system or issue a warning based on the type of fault detected.

### SAF-TE

#### Note

For the eXtremeRAID 3000, the SAF-TE section applies only to the internal SCSI channel.

The SAF-TE protocol follows a specification jointly worked out by nStor Corporation and Intel Corporation. Enclosures that are compliant with this protocol are known as SCSI Accessed Fault-Tolerant Enclosures (SAF-TE). The protocol is compatible with standard SCSI buses and cabling.

The SAF-TE interface standard's objective is to provide a non-proprietary means of allowing third-party disks and controllers to be automatically integrated with peripheral enclosures that support:

- Status Signals (LEDs, audible alarms, LCDs, etc.)
- Hot swapping of drives
- Monitoring of fans, power supplies, and enclosure temperature

SCSI is the underlying transport mechanism for communicating enclosure information. All standard SCSI host adapters will work. There is no need to consider reserved signals or special cabling.

The SAF-TE interface can be implemented as a SCSI target that uses a SCSI port and an 8-bit microcontroller.

All communication is initiated by the host. The SAF-TE processor acts only in target mode. The SAF-TE processor should be periodically polled by the host approximately every 2 to 10 seconds.

## Fibre Channel Cabinet

You will need to use a Fibre, High Speed Serial Data Connector (HSSDC), cable to connect a fibre drive to either one or both of the external Fibre connector(s) on the eXtremeRAID 3000 controller. Connect the other end of the Fibre cable, with a 9-Pin DSUB connector, to other devices or to an certified Fibre Channel Cabinet as required (for example, an SES external drive cabinet).

Please see Figure 2-11 for an example of an HSSDC connector.

### Note

Be sure to use a Fibre Channel Cabinet for the Fibre disk drives. Use only Fibre disk drives in your Fibre Channel Cabinet.

Check the documentation that comes with your Fibre Channel Cabinet for further information.

---

# Appendix F

## Regulatory Information

### **FC** Class B Compliance

THIS DEVICE COMPLIES WITH PART 15 OF THE FCC RULES. OPERATION IS SUBJECT TO THE FOLLOWING TWO CONDITIONS:

4. THIS DEVICE MAY NOT CAUSE HARMFUL INTERFERENCE, AND
5. THIS DEVICE MUST ACCEPT ANY INTERFERENCE RECEIVED, INCLUDING INTERFERENCE THAT MAY CAUSE UNDESIRE OPERATION.

All external connections should be made using shielded cables.

This equipment has been tested and found to comply with the limits for a Class B digital device, pursuant to Part 15 of the FCC rules. These limits are designed to provide reasonable protection against harmful interference in residential installations. This equipment generates, uses, and can radiate radio frequency energy, and if not installed and used in accordance with the instructions, may cause harmful interference to radio communications. However, there is not guarantee that interference will not occur in a particular installation.

If this equipment does cause interference to radio or television equipment reception, which can be determined by turning the equipment off and on, the user is encouraged to try to correct the interference by one or more of the following measures:

1. Reorient or relocate the receiving antenna
2. Move the equipment away from the receiver
3. Plug the equipment into an outlet on a circuit different from that to which the receiver is powered.

If necessary, the user should consult the dealer or an experienced radio/television technician for additional suggestions.

#### **Caution**

Only equipment certified to comply with Class B (computer input/output devices, terminals, printers, etc.) should be attached to this equipment.

Any changes or modifications to the equipment by the user not expressly approved by the grantee or manufacturer could void the user's authority to operate such equipment.

## **FC** Declaration of Conformity

**Per FCC Part 2, Section 2.1077(a)**

**Manufacturer's Name:** Mylex Corporation

**Manufacturer's Address:** 34551 Ardenwood Blvd.

Fremont, CA 94555-3607

USA

**Declares that the product:**

**Product Name:** High Performance RAID Controller

**Model Number(s):** eXtremeRAID 3000

**Year of Manufacture:** 2000

**Conforms to the following Product Specification(s):**

**FCC:**CFR 47 Part 15, Subpart B, Section 15.107(e) and Section 15.109(g)  
Class B Digital Device tested per ANSI C63.4–1992 procedures

**Supplementary Information:**

This device complies with part 15 of the FCC Rules. Operation is subject to the following two conditions: (1) This device may not cause harmful interference, and (2) this device must accept any interference received, including interference that may cause undesired operation.

# CE Declaration of Conformity

Per 89\336\EEC

## Responsible Party

**Name:** Mylex Corporation  
**Address:** 34551 Ardenwood Boulevard  
Fremont, CA 94555-3607 USA

hereby declares that the product

**Trade Name:** High Performance Caching RAID Controller  
**Model Number:** eXtremeRAID-3E Fab. 550137-A Rev. A

conforms to the following specifications

**Standards:** EN 50081-1:1992, EMI  
EN 55022 Class B (Radiated), Class B (Conducted)  
EN 50082-1:1992, Immunity  
EN 61000-4-2:1995 Electrostatic Discharge  
EN 61000-4-3:1996 Radiated Susceptibility  
EN 61000-4-4:1995 Electrical Fast Transients/Burst

## Community of Europe

CE mark is rated for the eXtremeRAID 3000 as follows:

CISPR 22 Radiated Emission

EN55022, EN5082-1 Generic immunity standard for the following:  
IEC 801-2 ESD, IEC 801-3 Radiated, and IEC 801-4 EFT/Burst

Warning!

This is a Class B product. In a residential environment this product may cause radio interference, in which case the user may be required to take adequate measures.

Achtung!

Dieses ist ein Gerät der Funkstörgrenzwertklasse B. In Wohnbereichen können bei Betrieb dieses Gerätes Rundfunkstörungen auftreten, in welchen Fällen der Benutzer für entsprechende Gegenmaßnahmen verantwortlich ist.

Avertissement!

Cet appareil est un appareil de Classe B. Dans un environnement résidentiel cet appareil peut provoquer des brouillages radioélectriques. Dans ce cas, il peut être demandé à l'utilisateur de prendre des mesures appropriées.

## Underwriters Laboratories Statement and Warning



### **WARNING**

**This controller is furnished with a nonvolatile RAM (NVRAM) chip that uses a sealed lithium battery/crystal module. Replace the module only with the same or equivalent type recommended by the manufacturer. Dispose of the used battery/crystal module according to the manufacturer's instructions. Never incinerate a battery as it could explode and cause serious injury.**





## **AcceleRAID™**

The AcceleRAID family features high performance, cost effective Ultra SCSI/Ultra2 SCSI LVD and Ultra 160 SCSI to PCI RAID controllers and adapters for high-end desktops, workstations, and entry level and mid range servers. AcceleRAID controllers support PCI-based motherboards with embedded SCSI chips and systems that have a PCI expansion slot designated for add-in RAID controllers. The AcceleRAID family consists of the 150, 200, 250, 352, 160, 170, and 170LP controllers. The 150, 200, and 250 products can utilize the on-board SCSI chips of servers and use SCSI interrupt steering logic (*SISL*). In addition, the 150 and 250 products can work in any PC or server with a PCI slot whether or not they have SCSI interrupt steering logic. The 150 and 250 have one Ultra2 SCSI LVD channel.

## **Active Termination**

A type of terminator used in current SCSI channel setups, which utilizes an active voltage regulator, thus closely matching cable impedance.

## **Application Server**

A centralized computer that holds and distributes application programs to users.

## **ASIC**

Application-Specific Integrated Circuit, a chip created for a specific application.

## **Array**

Multiple disk drives configured to behave as a single, independent disk drive. See also *Disk Array*.

## **Asynchronous Data Transfer**

Data transfer not synchronized to a set timing interval. Asynchronous devices must wait for a signal from the receiving device after each byte of data.

---

## **Automatic Rebuild**

Mylex controllers provide automatic rebuild capabilities in the event of a physical disk drive failure. The controller performs a rebuild operation automatically when a disk drive fails and both of the following conditions are true:

A standby or hot spare disk drive of identical or larger size is found attached to the same controller;

All system drives that are dependent on the failed disk drive are configured as a redundant array: RAID 1, RAID 3, RAID 5, or RAID 0+1.

During the automatic rebuild process, system activity continues; however, system performance may degrade slightly.

## **BBU**

Battery Backup Unit, provides a battery backup for data currently stored in the on-board cache memory during intermittent power loss to the controller. In the event of a power failure, the BBU can hold data in the cache for a certain amount of time. Once power is restored the data can be saved to a disk.

## **BIOS**

Basic Input/Output System, software that determines what a computer can do without accessing programs. The BIOS contains all the code required to control the keyboard, screen, drives, serial communications, and other functions. Usually the BIOS is built into a ROM chip installed on the motherboard so that the BIOS will always be available and not affected by disk failure. Sometimes the BIOS is recorded on a flash memory chip.

## **BIOS Configuration Utility**

BIOS-based Configuration Utility, a utility program sequence used, upon powerup, for configuring various hardware elements in a system.

## **Booting (or Bootstrapping)**

Loading operating system code and other basic software from a disk or other storage device to help a computer start.

## **Burst Data Rate**

The speed at which a specific amount of data is sent or received in intermittent operations.

## **Bus**

A set of conductors that connect the functional units in a computer and are the channels through which data is transferred. There are several types of bus channels, including serial, parallel, PCI, ISA, EISA, and MCA. See also *I/O Bus*.

## **Cables**

The physical wires (copper or fibre optic) over which electrical signals are transmitted. Cables are used to connect peripherals (such as disk arrays) to computers and servers or to connect peripherals or components to each other.

## **Cache**

A temporary storage area for frequently accessed or recently accessed data. Cache is used to speed up data transfer to and from a disk. See also *Caching*.

## **Cache Flush**

Refers to an operation where all unwritten blocks in a *Write-Back Cache* are written to the target disk. This operation is necessary before powering down the system.

## **Cache Line Size**

Represents the size of the data “chunk” that will be read or written at one time, and is set in conjunction with stripe size. Under RAID EzAssist™, the cache line size (also known as *Segment Size*) should be based on the stripe size you selected. The default segment size for Mylex RAID controllers is 8K.

## **Caching**

Allows data to be stored in a pre-designated area of a disk or RAM. Caching speeds up the operation of RAID systems, disk drives, computers and servers, or other peripheral devices.

## **CD-ROM**

Compact Disk-Read Only Memory, a removable read-only storage device, similar to an audio compact laser disk, holding up to 640MB of data.

## **Channel**

Any path used for the transfer of data and control of information between storage devices and a storage controller or I/O adapter. Also refers to one

---

SCSI bus on a disk array controller. Each disk array controller provides at least one channel.

## **Conservative Cache**

An operating mode in which system drives configured with the write-back caching policy are treated as though they were configured for write-through operation and the cache is flushed.

## **Consistency Check**

A process that verifies the integrity of redundant data. A consistency check on a RAID 1 or RAID 0+1 configuration (mirroring) checks if the data on drives and their mirrored pair are exactly the same. For RAID Level 3 or RAID Level 5, a consistency check calculates the parity from the data written on the disk and compares it to the written parity. A consistency check from Mylex utilities such as Global Array Manager™ (GAM) or RAID EzAssist™ give the user the ability to have a discrepancy reported and corrected. See also *Parity Check*.

## **Data Transfer Rate**

The amount of data per unit of time moved through a channel or I/O Bus in the course of execution of an I/O load, usually expressed in MBps.

## **DB-9**

A type of connector used for serial interfaces.

## **Device Driver**

A software program that controls a particular type of device attached to a computer, such as a RAID subsystem, printer, display, CD-ROM, disk drive, etc.

## **DIMM**

Dual In-line Memory Module, a circuit board that has memory chips. Instead of installing two SIMMs for the 64-bit memory path on a Pentium processor, one DIMM can be installed. See also *SIMM*.

## **Disk**

A non-volatile, randomly addressable, re-writable data storage device, including rotating magnetic and optical disks as well as solid-state disks or other electronic storage elements.

## Disk Array

A collection of disks from one or more commonly accessible disk systems. Disk arrays, also known as RAID, allow disk drives to be used together to improve fault tolerance, performance, or both. Disk arrays are commonly used on servers and are becoming more popular on desktops and workstations. See also *Array*.

## Disk Drive

A device for the electronic digital storage of information.

## Disk System

A storage system capable of supporting only disks.

## Drive Groups, Drive Packs

A group of individual disk drives (preferably identical) that are logically tied to each other and are addressed as a single unit. In some cases this may be called a drive “pack” when referring to just the physical devices.

All the physical devices in a drive group should have the same size; otherwise, each of the disks in the group will effectively have the capacity of the smallest member. The total size of the drive group will be the size of the smallest disk in the group multiplied by the number of disks in the group. For example, if you have 4 disks of 400MB each and 1 disk of 200MB in a pack, the effective capacity available for use is only 1000MB (5x200), not 1800MB.

## Drivers

A software routine that receives I/O requests from higher levels within the operating system and converts those requests to the protocol required by a specific hardware device.

## Dual Active

A pair of components, such as storage controllers in a failure tolerant storage system, that share a task or set of tasks when both are functioning normally. When one component of the pair fails, the other takes the entire load. Dual active controllers (also called *Active/Active* controllers) are connected to the same set of devices and provide a combination of higher I/O performance and greater failure tolerance than a single controller.

---

## **ECC**

Error Correcting Code, a method of generating redundant information which can be used to detect and correct errors in stored or transmitted data.

## **EDO**

Extended Data Output, a type of random access memory (*RAM*) chip designed to improve the time to read from memory on faster microprocessors such as the Intel<sup>®</sup> Pentium.

## **EEPROM**

Electrically Erasable PROM, see *EPROM*.

## **EISA**

Extended Industry Standard Architecture, a bus standard for PCs extending the *ISA* architecture to 32 bits and allowing more than one CPU to share the bus.

## **Embedded Storage Controller**

An intelligent storage controller that mounts in a host computer's housing and attaches directly to a host's memory bus with no intervening I/O adapter or I/O bus.

## **EPROM**

Erasable Programmable Read Only Memory, memory which can be erased and re-used.

## **eXtremeRAID**

A family of Mylex RAID controllers which offer uncompromising fault tolerance, data availability, superior configuration, and management flexibility. The eXtremeRAID family incorporates the latest performance technology by using the fastest processor on a PCI based RAID solution, a 233 MHz RISC processor, up to four 160MB/sec Ultra 160 SCSI (Ultra3 SCSI) channels, and a 64-bit PCI interface to provide eXtreme performance for servers. The eXtremeRAID controllers use driver technology with which Mylex has won tpm-C benchmarks worldwide. With this technology, the eXtremeRAID 1100, 2000, and 3000 provide the highest performance and most flexible RAID solution available today.

**Failback**

Restoring a failed system component's share of a load to a replacement component.

**Failover**

A mode of operation for failure tolerant systems in which a component has failed and a redundant component has assumed its functions.

**Failover Port**

A fibre channel port capable of assuming I/O requests for another, failed port on the loop. During normal operation, a failover port may be active or inactive. Failover ports assume the same loop ID and, optionally, the same node from the failed port.

**Failure**

A detectable physical change in hardware, requiring replacement of the component.

**Fast SCSI**

Devices that increases the speed at which data is transferred as opposed to the volume of data. These devices use data rates up to 10 MHz.

**Fast/Wide SCSI**

SCSI devices using data rates up to 20 MHz.

**Flash ROM**

Memory on an adapter containing software that can be reprogrammed without removing it from the board.

**Format**

A pre-established layout for data. Programs accept data as input in a certain format, process it, and provide it as output in the same or another format. All data is stored in some format with the expectation that it will be processed by a program that knows how to handle that format.

**Gigabit**

$10^9$  (1,000,000,000) bits. Abbreviated as Gb.

---

## Gigabyte

$2^{30}$  (1,073,741,824) bytes. Abbreviated as G or GB.

## Global Array Manager (GAM)

A Mylex RAID management utility that allows a system administrator to configure, monitor, and manage network RAID storage from anywhere in the world. GAM can communicate critical notification via e-mail, fax, pager, SNMP or the launching of an application. GAM is everything needed to manage Mylex PCI RAID Controllers, SCSI Host Adapters, and External RAID Controllers.

## HDM

Hardware Driver Module, a driver set required for SCSI adapters for use in an I<sub>2</sub>O environment.

## Host

Any computer system to which disks are attached and accessible for data storage and I/O.

## Host Bus Adapter (HBA)

An I/O adapter that connects a host I/O bus to the host's storage memory system.

## Host I/O Bus

An I/O bus used to connect a host computer to storage systems or storage devices.

## Hot Plug

The process of adding or removing a device from a bus while transactions involving other devices are occurring over the bus. See also *PCI Hot Plug*.

## Hot Replacement of Disks

The design of all Mylex controllers allows for the replacement of failed hard disk drives without interruption of system service. In the event of a SCSI drive failure on a properly configured system (where the data redundancy features of the controller are used), the system generates a message to alert the system operator.

When a replacement drive becomes available, the system operator can remove the failed disk drive, install a new disk drive, and instruct the



controller to “rebuild” the data on the new drive, all without interrupting system operations. Once the rebuild is complete, the controller will be brought back into a fault tolerant state. See also *Hot Swap*.

## **Hot Spare**

A physical disk drive not part of a system drive that the controller can use to automatically rebuild a critical system drive. The hot spare drive must have at least as much capacity as the largest disk drive in the array or the rebuild may not start. See also *Hot Standby*.

## **Hot Standby**

A redundant component in a fault tolerant storage system that has power applied and is ready to operate, but which does not perform its task as long as the primary component for which it is standing by is functioning properly. See also *Hot Replacement of Disk* and *Hot Spare*.

## **Hot Swap**

The exchange of a replacement unit in a storage system for a defective unit. The exchange requires human intervention, but the system can continue to perform its normal functions (compare with *Auto Swap*, *Cold Swap*, and *Warm Swap*). See also *Hot Replacement of Disk*.

## **In-Line Terminator**

A plug attached to the end of a SCSI cable in order to initiate active termination. Used when SCSI devices on the cable do not have built-in termination. See also *Active Termination*.

## **Interface**

A hardware or software protocol that manages the exchange of data between the hard disk drive and the computer. The most common interfaces for small computer systems are ATA (also known as IDE) and SCSI.

## **Internal RAID Controller**

A controller circuit board that resides inside a computer or server. An internal RAID controller resides on a bus, such as the PCI bus. Examples of internal RAID controllers include the Mylex AcceleRAID and eXtremeRAID families.

---

## **I/O**

Input/Output, the transmission of information between an external source and the computer.

## **I/O Bus**

Any path used for the transfer of data and control information between I/O adapters and storage controllers or storage devices. See also *Bus*.

## **I<sub>2</sub>O**

Intelligent Input/Output, a driver that uses special I/O processes to eliminate I/O bottlenecks. The processes deal with interrupt handling, buffering, and data transfer. An I<sub>2</sub>O driver also includes an OS-specific module (OSM), which handles higher-level OS details, and a hardware device module (*HDM*), which knows how to communicate with certain devices.

## **ISA**

Industry Standard Architecture, a standard bus (computer interconnection) architecture associated with the IBM AT motherboard. It allows 16 bits at a time to flow between the motherboard circuitry and an expansion slot card and its associated device(s).

## **JBOD**

Just A Bunch of Disks (Drives), a number of disk drives, usually in an enclosure. JBOD implies that the disks do not use RAID technology and function independently. All Mylex RAID controllers support JBOD mode.

## **Jumper**

A short piece of electrical conductor encased in plastic used to connect pins on a device to provide settings that the user can change. The settings remain constant during operation. For example, jumpers often set SCSI ID, termination, and IDE master/slave settings.

## **Kilobyte**

2<sup>10</sup> (1,024). Abbreviated as K or KB.

## **Logical Drive**

The logical devices presented to the operating system. System drives are presented as available disk drives, each with a capacity specified by the Mylex RAID controller.

## Logical Drive States

A logical (system) drive can be *Online*, *Critical*, or *Offline*. Notice that the term “online” is used for both physical and logical drives.

## LVD

Low Voltage Differential, a form of SCSI signaling introduced with *Ultra2 SCSI (Fast40 SCSI)* uses data high and data low signal lines to increase transmission distances over those of single-ended (conventional SCSI signaling) lines. LVD allows for cable lengths of up to 12 meters (approximately 39 feet) with up to 15 devices. LVD also lowers noise, power usage, and amplitude.

LVD differs from conventional differential signaling in that only positive and negative values are distinguished, not voltage levels. Other advantages are that LVD devices consume less power and can sense single-ended devices on the bus and revert to single-ended signaling. Devices need to be Ultra2 SCSI LVD devices in order to take advantage of the LVD signaling. Mylex AcceleRAID, eXtremeRAID, and DAC FL controllers are LVD controllers.

## Megabit

A million bits; used as a common unit of measure, relative to time in seconds, as an expression of a transmission technology's bandwidth or data transfer rates. Megabits per second (Mbps) is a frequent measure of bandwidth on a transmission medium.

## Megabyte

2<sup>20</sup> (1,048,576) bytes. One megabyte can store more than one million characters. Abbreviated as M or MB.

## Mirrored Cache

A cache memory that has duplicate data from another controller. In the event of failure of the original controller, the second controller can take the cached data and place it on the disk array.

## Mirrored Hard Drive

Two hard drives the computer sees as one unit. Information is stored simultaneously on each drive. If one hard disk drive fails, the other contains all of the cached data and the system can continue operating.

---

## Mirroring

Refers to the complete duplication of data on one disk drive to another disk drive, this duplication occurs simultaneously with each write operation: each disk will be the mirror image of the other (also known as RAID Level 1, see *RAID levels*). All Mylex RAID controllers support mirroring.

## M.O.R.E.

Mylex Online RAID Expansion, an advanced configuration mode that allows expansion of any unconfigured or hot spare drive into the expandable drive group while the controller is online with the host. For example, a system using a five-disk-drive RAID set can add another disk drive to create a six-disk-drive RAID set. The M.O.R.E. operation can be performed on all RAID levels except JBOD.

Mylex's Global Array Manager (GAM) supports two M.O.R.E. features:

Expand Capacity allows logical drive expansion for FFX external controllers only.

Expand Array allows array expansion for both PCI and FFX external controllers.

During the RAID set expansion process, which includes re-striping data from the old (smaller) RAID set to the new (expanded) RAID set, the controller continues to service host I/O requests.

## MTBF

Mean Time Between Failures, the average time from start of use to failure in a large population of identical systems, computers, or devices.

## Narrow SCSI

8-bit wide standard SCSI. Compare with *Fast SCSI*, *Fast/Wide SCSI*, *Ultra SCSI*, *Ultra Wide SCSI*, *Ultra Fast SCSI*, *Ultra 160 SCSI*, and *WideSCSI*.

## NVRAM

Non-Volatile Random Access Memory, a memory unit equipped with a battery so that the data stays intact even after the main power had been switched off.

## Offline

A *Logical Drive* is in an “offline” state if no data can be read from it or written to it. Offline does not apply to physical disk drives. System commands issued to offline logical drives are returned with an error status; no operations can be performed on offline logical drives. See also *Logical Drive States, Online, and Critical*.

## Online

A *Logical Drive* is in an “online” state if all of its participating SCSI drives have power and are operational. See also *Logical Drive States, Critical, and Offline*.

## Parity

A method of providing complete data redundancy while requiring only a fraction of the storage capacity of mirroring. The data and parity blocks are divided between the disk drives in such a way that if any single disk drive is removed or fails, the data on it can be reconstructed using the data on the remaining disk drives. The parity data may exist on only one disk drive or be distributed between all disk drives in a RAID group.

## Parity Check

A function used to verify the integrity of data on a system drive. It verifies that mirror or parity information matches the stored data on the redundant arrays. If the parity block information is inconsistent with the data blocks, the controller corrects the inconsistencies. See also *Consistency Check*.

## PCI

Peripheral Component Interconnect, a standardized architecture that provides a high-speed data path between peripherals and the CPU. PCI is a high-performance, backplane interface, expansion slot architecture found on PCs, Macintoshes, and UNIX workstations. PCI cards are portable across hardware platforms with the help of various software drivers.

## PCI Hot Plug

A feature that allows for the printed circuit board (PCB) to be replaced without powering down the entire system—an essential feature in newer PCI-based PCs. Mylex DAC960PG, DAC960PJ, AcceleRAID, and eXtremeRAID products are all PCI Hot Plug compatible. See also *Hot Plug*.

---

## Physical Device

Any device connected to some kind of hardware. For example, SCSI disk, fibre disk, network disk, RAM disk, etc.

## Physical Disk Drive

A single hard disk drive. Each physical disk drive is assigned a unique identification address.

## PROM

Programmable Read-Only Memory, memory that users with appropriate instructions can reprogram.

## Protocol

A special set of rules for transmitting data between two devices in a telecommunication connection.

## RAID

Redundant Array of Independent Disks, a collection of two or more disks working together in an array. DAC960 controllers implement this technology to connect up to 15 SCSI devices per channel. The different forms of RAID implementation are known as “RAID levels.”

The system manager or integrator selects the appropriate RAID level for a system. This decision will be based on which of the following are to be emphasized:

Disk Capacity

Data Availability (redundancy or fault tolerance)

Disk Performance

## RAID Adapters

See *RAID Controller*.

## RAID Advisory Board (RAB)

An association of companies whose primary intention is to standardize RAID storage systems. Mylex is a member of RAB.

## RAID Controller

Low cost RAID controllers that use SCSI channels on the motherboard.

## RAID Levels

Mylex disk array controllers support four RAID Advisory Board approved (RAID 0, RAID 1, RAID 3, and RAID 5), two special (RAID 0+1, and JBOD), and three spanned (RAID 10, 30, and 50) RAID levels. All DAC960, AcceleRAID, and eXtremeRAID series controllers support these RAID levels.

*Level 0:* Provides block “striping” across multiple drives, yielding higher performance than is possible with individual drives. This level does not provide any redundancy.

*Level 1:* Drives are paired and mirrored. All data is 100 percent duplicated on a drive of equivalent size.

*Level 3:* Data is “striped” across several physical drives. Maintains parity information, which can be used for data recovery.

*Level 5:* Data is “striped” across several physical drives. For data redundancy, drives are encoded with rotated XOR redundancy.

*Level 0+1:* Combines RAID 0 striping and RAID 1 mirroring. This level provides redundancy through mirroring.

*JBOD:* Sometimes referred to as “Just a Bunch of Drives.” Each drive is operated independently like a normal disk controller, or drives may be spanned and seen as a single drive. This level does not provide data redundancy.

*Level 10:* Combines RAID 0 striping and RAID 1 mirroring spanned across multiple drive groups (super drive group). This level provides redundancy through mirroring and better performance than Level 1 alone.

*Level 30:* Data is “striped” across multiple drive groups (super drive group). Maintains parity information, which can be used for data recovery.

*Level 50:* Data is “striped” across multiple drive groups (super drive group). For data redundancy, drives are encoded with rotated XOR redundancy.

*Note:* The host operating system drivers and software utilities remain unchanged regardless of the level of RAID installed. The controller makes the physical configuration and RAID level implementation.

---

## **RAID Migration**

A feature in RAID subsystems that allows for changing a RAID level to another level without powering down the system.

## **RAM**

Random Access Memory, the "built-in" readable and writable data storage that comes with (or can be added to) a computer.

## **RISC**

Reduced Instruction Set Computing, architecture for an application-specific processor.

## **RJ-11, RJ-45**

Registered Jacks (sometimes described as RJ-XX), a series of telephone connection interfaces (receptacle and plug) that are registered with the U.S. Federal Communications Commission (FCC). The most common telephone jack is the RJ-11 jack, which can have six conductors but is usually implemented with four. The RJ-11 jack is likely to be the jack that your household or office phones are plugged into from the ordinary "untwisted" wire (sometimes called "gray satin" or "flat wire") that people are most familiar with. The RJ-45 is a single-line jack for digital transmission over ordinary phone wire, either untwisted or twisted; the interface has eight pins or positions.

## **ROM**

Read-Only Memory, built-in computer memory containing data that normally can only be read, not written to. ROM contains the programming that allows a computer to be "booted up" each time you turn it on. Unlike a computer's random access memory (*RAM*), the data in ROM is not lost when the computer power is turned off; a small long-life battery in your computer sustains the ROM.

## **SAF-TE**

SCSI Accessed Fault-Tolerant Enclosure, an "open" specification designed to provide a comprehensive standardized method to monitor and report status information on the condition of disk drives, power supplies, and cooling systems used in high availability *LAN* servers and storage subsystems. The specification is independent of hardware I/O cabling, operating systems, server platforms, and RAID implementation because the



enclosure itself is treated as simply another device on the SCSI bus. Many other leading server, storage, and RAID controller manufacturers worldwide have endorsed the SAF-TE specification. Products compliant with the SAF-TE specification will reduce the cost of managing storage enclosures, making it easier for a LAN administrator to obtain base-level fault-tolerant alert notification and status information. All Mylex RAID controllers feature SAF-TE.

## **SCSI**

Small Computer System Interface, a technological standard that defines connections between computers and peripheral devices.

### **SCSI Adapters**

Storage controllers for managing SCSI devices.

### **SCSI Drive**

A disk drive equipped with a SCSI interface (sometimes referred to as a SCSI Disk). Each disk drive will be assigned a SCSI address (or SCSI ID), which is a number from 0 to 7 (0 to 15 under wide or Ultra SCSI). The SCSI address uniquely identifies the drive on the SCSI bus or channel.

### **SCSI Drive States**

Refers to a SCSI drive's current operational status. At any given time, a SCSI drive can be in one of five states: *Ready*, *Online*, *Standby*, *Dead*, or *Rebuild*.

The controller stores the state of the attached SCSI drives in its non-volatile memory. This information is retained even after power-off. Hence, if a SCSI disk is labeled "dead" in one session, it will stay in the "dead" state until a change is made either by using a system level utility or after a rebuild. Each state is described below:

*Ready*: A SCSI disk drive is in a "ready" state if it is powered on and is available to be configured during the current session but remains unconfigured.

*Online*: A SCSI disk drive is in an "online" state if it is powered on, has been defined as a member of a drive group, and is operating properly.

*Standby*: A SCSI disk drive is in a "standby" state if it is powered on, is able to operate properly, and was NOT defined as part of any drive group.

---

*Offline:* A SCSI disk drive is in a “offline” state if it is not present, if it is present but not powered on, or if it failed to operate properly and was “offline” by the controller. When the controller detects a failure on a disk, it “kills” that disk by changing its state to “offline.” An “offline” SCSI drive can also be present and powered on, but a SCSI drive in a “offline” state does not participate in any I/O activity; no commands are issued to dead drives.

*Rebuild:* A SCSI disk drive is in a “rebuild” state while it is in the process of being rebuilt. During this process, data is regenerated and written to the disk drive. This state is also referred to as “Write-Only” (WRO).

## **SCSI Interrupt Steering Logic (SISL)**

Architecture that allows a RAID controller, such as AcceleRAID 150, 200 or 250, to implement RAID on a system board-embedded SCSI bus or a set of SCSI busses.

## **SDRAM**

Synchronous Dynamic Random Access Memory, a form of dynamic random access memory (DRAM) that can be coordinated or synchronized to the clock speed of the computer.

## **Segment Size**

See *Cache Line Size*.

## **Sequential I/O**

A type of read and write operation where entire blocks of data are accessed one after another in sequence, as opposed to randomly.

## **Server**

A computer program that provides and manages services to other computer programs on the same or other computers. The computer that a server program runs in is also frequently referred to as a server.

## **SES**

SCSI Enclosure Services, a standard for SCSI access to services within an enclosure containing one or more SCSI devices. For disk drives, power supplies, cooling elements, and temperature sensors, the actions performed are the same as for SAF-TE monitoring. If a UPS is connected to any SES-monitored enclosures, and an AC failure or two minute warning is

reported, conservative cache is enabled and all system drives are switched to write-through cache. Primarily used in fibre enclosures.

## **SIMM**

Single In-line Memory Module, RAM packed on a small circuit board with a defined edge connector. Two SIMMs are required for a 64-bit memory path on a Pentium processor. See also *DIMM*.

## **SISL**

See *SCSI Interrupt Steering Logic (SISL)*.

## **SMART**

Self-Monitoring Analysis and Reporting Technology, the industry standard reliability prediction indicator for both the ATA/IDE and SCSI hard disk drives. Hard disk drives with SMART offer early warning of some hard disk failures so critical data can be protected.

## **SNMP**

Simple Network Management Protocol, the protocol governing network management: for monitoring network devices and their functions.

## **Standard Disk Drive**

This term refers to a hard disk drive with SCSI, IDE, or other interface, attached to the host system through a standard disk controller.

## **Standby Replacement of Disks**

See also *Hot Spare*. One of the most important features the RAID controller provides to achieve automatic, non-stop service with a high degree of fault-tolerance. The controller automatically carries out the rebuild operation when a SCSI disk drive fails and both of the following conditions are true:

A “standby” SCSI disk drive of identical size is found attached to the same controller;

All of the system drives that are dependent on the failed disk are redundant system drives, e.g., RAID 1, RAID 3, RAID 5, and RAID 0+1.

*Note:* The standby rebuild will only happen on the SAME DAC960 controller, never across DAC960 controllers.

During the automatic rebuild process, system activity continues as normal. System performance may degrade slightly during the rebuild process.

---

To use the standby rebuild feature, you should always maintain a standby SCSI disk in your system. When a disk fails, the standby disk will automatically replace the failed drive and the data will be rebuilt. The system administrator can disconnect and remove the bad disk and replace it with a new disk. The administrator can then make this new disk a standby.

The standby replacement table has a limit of 8 automatic replacements in any session (from power-on/reset to the next power-off/reset). When the limit of 8 is reached and a disk failure occurs, the standby replacement will occur but will not be recorded in the replacement table.

To clear the “standby replacement” table, reboot the system from a DOS bootable floppy, run the configuration utility and select the option ‘view/update configuration’ from the main menu. A red box labeled ‘Drive Remap List’ will be displayed. Selecting the box will allow you to continue. You should save the configuration without making any changes, and exit the configuration utility. This will clear the replacement table. You may now proceed to boot your system and continue normal operations.

In normal use, the replacement table limit of 8 should not cause any problems. Assuming that a disk fails about once a year (drives we support generally come with a 5-year warranty), the system would run continuously for a minimum of eight years before the table would need to be cleared.

## **Stripe Order**

The order in which SCSI disk drives appear within a drive group. This order must be maintained, and is critical to the controller’s ability to “rebuild” failed drives.

## **Stripe Size**

The size, in kilobytes (1024 bytes) of a single I/O operation. A stripe of data (data residing in actual physical disk sectors, which are logically ordered first to last) is divided over all disks in the drive group.

## **Stripe Width**

The number of striped SCSI drives within a drive group.

## **Striping**

The storing of a sequential block of incoming data across multiple SCSI drives in a group. For example, if there are 3 SCSI drives in a group, the data will be separated into blocks and block 1 of the data will be stored on SCSI

drive 1, block 2 on SCSI drive 2, block 3 on SCSI drive 3, block 4 on SCSI drive 1, block 5 on SCSI drive 2, and so on. This storage method increases the disk system throughput by ensuring a balanced load among all drives.

### **Sustained Data Transfer Rate**

A rate of data transfer defined for continuous operation at a maximum speed level.

### **Synchronous Data Transfer**

Data transmission synchronized to a defined time interval, and is faster than asynchronous SCSI because there is no wait for acknowledgement of each byte from the receiving device (up to 20MHz).

### **System Drives**

A system drive is equivalent to a logical drive. System drives are presented to the operating system as available disk drives, each with a capacity specified by the eXtremeRAID controller.

### **Target ID**

The SCSI ID of a device attached to a controller. Each SCSI channel can have up to 15 attached SCSI devices (target ID from 0 to 6 and 8 to 15).

### **Terminator**

A part used to end a SCSI bus.

### **Termination**

A method of matching transmission impedance of a bus to eliminate signal reflections from the physical ends of the bus.

### **Transfer Rate**

The rate at which data moves between the host computer and storage, input, or output devices, usually expressed as a number of characters per second.

### **Ultra 160 SCSI (Ultra3 SCSI)**

The newest in SCSI technology, Ultra 160 SCSI increases performance, reliability, and manageability. With transfer rates of 160 MBps, cyclical redundancy check, and the capability to automatically test the interface's performance level, the Ultra 160 SCSI can keep up with fibre channel technology.

---

## **Ultra SCSI (Fast 20 SCSI)**

A high performance SCSI protocol that has a bus speed of 20 Megabytes per second in the Narrow SCSI configuration and 40 MB in the Wide SCSI (Fast 20 Wide SCSI) configuration.

## **Ultra Wide SCSI**

16-bit wide Ultra SCSI (IS devices), double the speed of narrow SCSI.

## **Ultra2 SCSI (Fast 40 SCSI)**

A higher performance SCSI protocol than Ultra SCSI. Ultra2 SCSI has a bus speed of 40 Megabytes per second in the Narrow SCSI configuration and 80 Megabytes in the Wide SCSI (Wide Ultra2 SCSI) configuration.

## **Wide SCSI**

A SCSI protocol and signal definition providing 16-bit wide data path.

## **Write-Back Cache**

A caching strategy whereby write operations result in a completion signal being sent to the host operating system as soon as the cache (not the disk drive) receives the data to be written. The target disk drive will receive the data at a more appropriate time in order to increase controller performance. An optional cache battery backup can be used to protect against data loss as a result of a power failure or system crash.

## **Write-Through Cache**

A caching strategy whereby data is written to the SCSI drive before a completion status is returned to the host operating system. This caching strategy is considered more secure, since a power failure will be less likely to cause loss of data. However, a write through cache results in a slightly lower performance.

# MYLEX eXtremeRAID 3000 Problem Report

Customer Identification													eXtremeRAID 3000 Identification							
Name: _____													Date: _____		Purchase Date: _____					
Company: _____													Model: _____							
Address: _____													Invoice Number: _____							
_____													Serial Number: _____							
_____													# Chnls: _____		Cache: _____					
Country: _____													Firmware Ver: _____		BIOS Ver: _____					
Phone Number: _____													Make/Model/Size/Type of _____							
Fax Number: _____													Drives: _____							
													Disk: _____							
													Non-Disk: _____							
System Information																				
Motherboard: _____										CPU Speed: _____				BIOS Ver: _____						
Video Adapter: _____										Network Card: _____				MB Memory: _____						
Operating Sys: _____										Other Disk Ctrl: _____				Other Cards: _____						
Pack Configuration													System Drive Configuration							
Indicate in matrix below 1, 2... for member of pack 1, pack 2... respectively. Indicate S, T, C, or O for Standby, Tape, CDROM and other drives.													System Drive	Size	RAID Level	Write Back/Thru				
Channel	SCSI ID															0				
	0	1	2	3	4	5	6	7	8	9	10	11	12	13	14	15	1			
0																	2			
1																	3			
2																	4			
																	5			
																	6			
																	7			
Problem Description																				
_____																				
_____																				
_____																				
_____																				
_____																				
_____																				

This DPR form has been included with your Mylex product as a convenience to both you and our Technical Services Department. If filled out completely, this will greatly assist Mylex personnel in quickly resolving any technical problems or questions you may have. Use the Mylex fax number (510) 745-7715 to transmit this form to the Technical Services Department, or mail to Mylex Corporation, Technical Services Department, 34551 Ardenwood Blvd., Fremont, CA 94555-3607





## **Mylex Warranty - Customer Policy**

Thank you for purchasing this Mylex product for your computer system. In addition to this high-quality product, your purchase entitles you to the warranty coverage set forth herein. In order to provide this warranty coverage, and to indicate your acceptance of this warranty, we must have the attached Warranty Registration Card completed and returned to us within 15 days of your purchase. Also, in order for us to provide you the highest level of service, we must know where you purchased your MYLEX product.

### **Three Year Limited Warranty**

If at any time during the thirty six month period (or 18 month for BBM/BDM) immediately following the date of original purchase of the MYLEX product enclosed herewith (the "PRODUCT") you discover one or more defects in the material or workmanship, MYLEX will repair, or at MYLEX's sole option, replace the PRODUCT. If the PRODUCT fails to operate at any time within seven days after the date of its original purchase, it will be replaced by MYLEX. Such repair or replacement will be your sole remedy against MYLEX, and MYLEX's only liability to you, for any failure or malfunction of the PRODUCT. The warranty set forth in this paragraph will be void if:

1. The PRODUCT has been installed in an improper manner or in an improper operating environment.
2. The PRODUCT has been modified or repaired by any party other than MYLEX or a MYLEX factory authorized service center.
3. The PRODUCT has been damaged.

Some MYLEX products will have a Warranty Expiration Date label affixed to the product itself. When present, the warranty period will extend through the last day of the month indicated.

This warranty will not apply to, and MYLEX provides no warranty for, any BIOS, software, ROM-based firmware, or any other PRODUCT developed or manufactured by any third party, whether included with this PRODUCT or not. Such warranty or warranties as are provided by third parties, to the extent permitted thereby, shall be made available, and are hereby assigned, by MYLEX to the purchaser of this PRODUCT.

If MYLEX issues a revision to the BIOS, firmware or software included with this PRODUCT within 30 days of your purchase, MYLEX will replace such firmware at no charge except handling fees.

### **Out of Warranty Service**

Mylex products which are ineligible for warranty service may be serviced by MYLEX according to our standard price list, as modified from time to time. A current copy of the standard price list is available from the Technical Support Department.

### **Limitation of MYLEX Liability**

MYLEX's liability arising from the sale, use and disposition of this PRODUCT shall in no event exceed the amount paid to MYLEX for this PRODUCT. MYLEX assumes no liability for damages arising from the use or failure of any MYLEX product. THE WARRANTY DESCRIBED ABOVE CONSTITUTES THE ONLY WARRANTY MADE BY MYLEX. MYLEX EXPRESSLY DISCLAIMS ANY AND ALL OTHER WARRANTIES OF ANY KIND WHATSOEVER, WHETHER EXPRESSED OR IMPLIED, INCLUDING WARRANTIES OF MERCHANTABILITY AND FITNESS FOR A PARTICULAR PURPOSE, WHICH ARE HEREBY EXPRESSLY EXCLUDED. IN NO EVENT WILL MYLEX BE LIABLE FOR INCIDENTAL, SPECIAL OR CONSEQUENTIAL DAMAGES (INCLUDING WITHOUT LIMITATION LOSS OF DATA, USE, OR INCOME), EVEN IF ADVISED OF SUCH DAMAGES IN ADVANCE. Your sole remedies shall be as provided herein.

## Returned Merchandise Procedures

If you suspect that there is a defect in the material or workmanship of this PRODUCT, you should contact the person or company from which you purchased it. That person or company may be able to solve the problem and if not, will be able to contact us for technical assistance or repair.

If it is determined that the PRODUCT must be returned to MYLEX for repair or replacement, contact MYLEX's Technical Support Department at 510-608-2400 before it is returned. Each returned item must have a separate Return Merchandise Authorization (RMA) number, provided by MYLEX.

The following rules apply to all returned items:

1. The PRODUCT must be returned either in its original packaging or in other packaging which is appropriate for the PRODUCT and the manner of shipment, and the RMA number must be displayed prominently on the outside of each such package.
2. If a PRODUCT is determined to be ineligible for warranty service, the customer will be notified before any further action is taken with the PRODUCT.
3. MYLEX will not be responsible for any loss or damage to property shipped with the RMA PRODUCT not originally sold by MYLEX (e.g., coprocessor chips, peripheral boards, memory modules, enclosures, power supplies, or any other accessories or attached items).
4. Any item returned to MYLEX without a valid RMA number will be returned to the shipper.

Products shipped to MYLEX must be shipped or mailed at the shipper's risk, freight prepaid, to the address below.

Mylex Corporation  
34551 Ardenwood Blvd.  
Fremont, California U.S.A.  
94555-3607

Mylex will pay for return freight via such carrier as MYLEX shall deem appropriate.

## Technical Support

Technical support, to assist you in resolving problems with MYLEX products, is available through MYLEX's Technical Support Department. In the U.S.A., the Technical Support Department can be reached by telephone at (510) 608-2400, by FAX at (510) 745-7715, or by e-mail at support@mylex.com. Current hours of operation, which are subject to change, are from 6:00 a.m. to 6:00 p.m. Pacific Time, Mondays through Fridays, **excluding U.S.A. national holidays**. Many problems can also be solved using the Mylex Web site (<http://www.mylex.com>), which has a support area available 24 hours a day for interactive technical support.

Included with the shipment of most MYLEX products is a System Problem Report (SPR) form. When contacting the Technical Support Department for assistance with an installation or compatibility problem, we recommend that this form be completed and sent by facsimile or mail to MYLEX. Completion of this form will allow our Technical Support Department to solve most technical problems expeditiously.

Mylex will make reasonable efforts to address compatibility problems which may arise with respect to third party products, but shall not be responsible for the compatibility of its products with the products of any third party. Customers are advised to verify each product's compatibility with their installation before committing to any particular procurement plan.





CORPORATE OFFICE

34551 Ardenwood Boulevard, Fremont, CA 94555-3607

Tel: 510.796.6100

Domestic Sales Fax: 510.745.8016

International Sales Fax: 510.745.7521

[www.mylex.com](http://www.mylex.com)