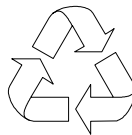


H61 Housing Installation Guide



Recycled Paper

Copyright

Copyright © 1998 by this company. All rights reserved. No part of this publication may be reproduced, transmitted, transcribed, stored in a retrieval system, or translated into any language or computer language, in any form or by any means, electronic, mechanical, magnetic, optical, chemical, manual or otherwise, without the prior written permission of this company.

IMPORTANT SAFETY INSTRUCTIONS

1. Read these instructions carefully. Save these instructions for future reference.
2. Follow all warnings and instructions marked on the product.
3. Unplug this product from the wall outlet before cleaning. Do not use liquid cleaners or aerosol cleaners. Use a damp cloth for cleaning.
4. Do not use this product near water.
5. Do not place this product on an unstable cart, stand, or table. The product may fall, causing serious damage to the product.
6. Slots and openings in the cabinet and the back or bottom are provided for ventilation; to ensure reliable operation of the product and to protect it from overheating, these openings must not be blocked or covered. The openings should never be blocked by placing the product on a bed, sofa, rug, or other similar surface. This product should never be placed near or over a radiator or heat register, or in a built-in installation unless proper ventilation is provided.
7. This product should be operated from the type of power indicated on the marking label. If you are not sure of the type of power available, consult your dealer or local power company.
8. This product is equipped with a 3-wire grounding-type plug, a plug having a third (grounding) pin. This plug will only fit into a grounding-type power outlet. This is a safety feature. If you are unable to insert the plug into the outlet, contact your electrician to replace your obsolete outlet. Do not defeat the purpose of the grounding-type plug.
9. Do not allow anything to rest on the power cord. Do not locate this product where persons will walk on the cord.
10. If an extension cord is used with this product, make sure that the total ampere rating of the equipment plugged into the extension cord does not

exceed the extension cord ampere rating. Also, make sure that the total rating of all products plugged into the wall outlet does not exceed 15 amperes.

11. Never push objects of any kind into this product through cabinet slots as they may touch dangerous voltage points or short out parts that could result in a fire or electric shock. Never spill liquid of any kind on the product.
12. Do not attempt to service this product yourself, as opening or removing covers may expose you to dangerous voltage points or other risks. Refer all servicing to qualified service personnel.
13. Unplug this product from the wall outlet and refer servicing to qualified service personnel under the following conditions:
 - a. When the power cord or plug is damaged or frayed
 - b. If liquid has been spilled into the product
 - c. If the product has been exposed to rain or water
 - d. If the product does not operate normally when the operating instructions are followed. Adjust only those controls that are covered by the operating instructions since improper adjustment of other controls may result in damage and will often require extensive work by a qualified technician to restore the product to normal condition.
 - e. If the product has been dropped or the cabinet has been damaged
 - f. If the product exhibits a distinct change in performance, indicating a need for service

-
14. Replace battery with the same type as the product's battery we recommend. Use of another battery may present a risk of fire or explosion. Refer battery replacement to a qualified serviceman.
 15. **Warning!** Battery may explode if not handled properly. Do not recharge, disassemble or dispose of in fire. Keep away from children and dispose of used battery promptly.
 16. Use only the proper type of power supply cord set (provided in your keyboard/manual accessories box) for this unit. It should be a detachable type: UL listed/CSA certified, type SVT/SJT, rated 6A 125V minimum, VDE approved or its equivalent. Maximum length is 15 feet (4.6 meters).

CD-ROM Safety Warning

DANGER

INVISIBLE RADIATION WHEN OPEN.
AVOID EXPOSURE TO BEAM.

VORSICHT

UNSICHTBARE LASERSTRAHLUNG WENN GEÖFFNET.
NICHT IN DEN STRAHL SEHEN.

ATTENTION

RADIATION DU FAISCEAU LASER INVISIBLE. EN CAS
D'OUVERTURE. EVITER TOUTE EXPOSITION AUX RAYONS.

VARO

AVATTAESSA OLET ALTTIINA NÄKYMÄTTÖMÄLLE
LASERSÄTEILYLLE ÄLÄ KATSO SÄTEESEEN.

VARNING!

OSYNLING LASERSTRÄLNING NÄR DENNA DEL ÄR ÖPPNAD.
BETRAKTA EJ STRÄLEN.

VARNING

OSYNLING LASERSTRÄLNING NÄR DENNA DEL ÄR ÖPPNAD.
STIRRA EJ IN I STRÄLEN.

ADVARSEL

LASERSTRÄLING VED ÄBNING. SE IKKE IND I STRÄLEN.

CLASS 1 LASER PRODUCT
APPAREIL A LASER DE CLASSE 1
LASER KLASSE 1
LOUKAN 1 LASERLAITE
PRODUIT LASER
CATEGORIE 1

FCC Class B Radio Frequency Interference Statement

Note:

This equipment has been tested and found to comply with the limits for a Class B digital device, pursuant to Part 15 of FCC Rules. These limits are designed to provide reasonable protection against harmful interference in a residential installation. This equipment generates, uses, and can radiate radio frequency energy and, if not installed and used in accordance with the instructions, may cause harmful interference to radio communications. However, there is no guarantee that interference will not occur in a particular installation. If this equipment does cause harmful interference to radio or television reception, which can be determined by turning the equipment off and on, the user is encouraged to try to correct the interference by one or more of the following measures:

1. Reorient or relocate the receiving antenna.
2. Increase the separation between the equipment and receiver.
3. Connect the equipment into an outlet on a circuit different from that to which the receiver is connected.
4. Consult the dealer or an experienced radio/television technician for help.

Notice 1:

The changes or modifications not expressly approved by the party responsible for compliance could void the user's authority to operate the equipment.

Notice 2:

Shielded interface cables, if any, must be used in order to comply with the emission limits.

About this Manual

Purpose

This manual aims to give you all the information you need to install the system housing.

Conventions

The following conventions are used in this manual:



NOTE

Gives bits and pieces of additional information related to the current topic.



WARNING

Alerts you to any damage that might result from not following directions.



CAUTION

Suggests precautionary measures to avoid potential hardware or software problems.



IMPORTANT

Reminds you to take specific action relevant to the accomplishment of the procedure at hand.



TIP

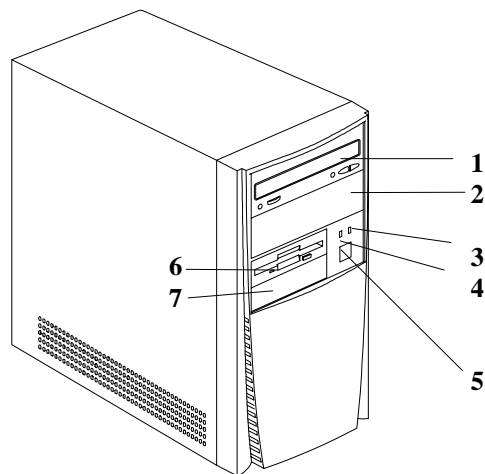
Tells how to accomplish a procedure with fewer steps through little shortcuts.

Table of Contents

1	Features	1
1.1	Front Panel	1
1.2	Rear Panel	2
1.3	Inside Components	3
2	Component Installation.....	4
2.1	Opening the Housing.....	4
2.2	Installing a System Board.....	6
2.2.1	ESD Precautions	6
2.2.2	Installation Procedures	6
2.3	Installing Drives	8
2.3.1	Installing a Drive into the 5.25-inch Drive Bay	8
2.3.2	Installing Drives into the 3.5-inch Drive Bay.....	11
2.4	Installing Expansion Boards.....	14
2.5	Reinstalling the Cover	16

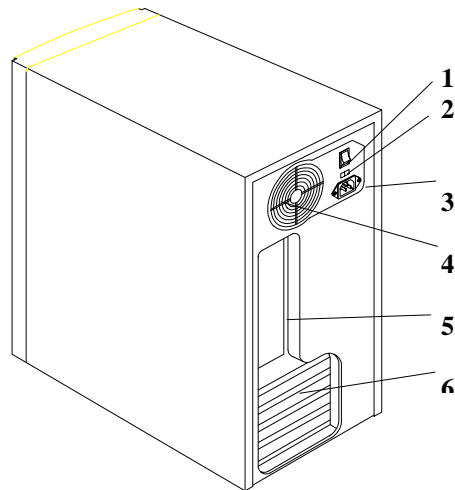
1 Features

1.1 Front Panel



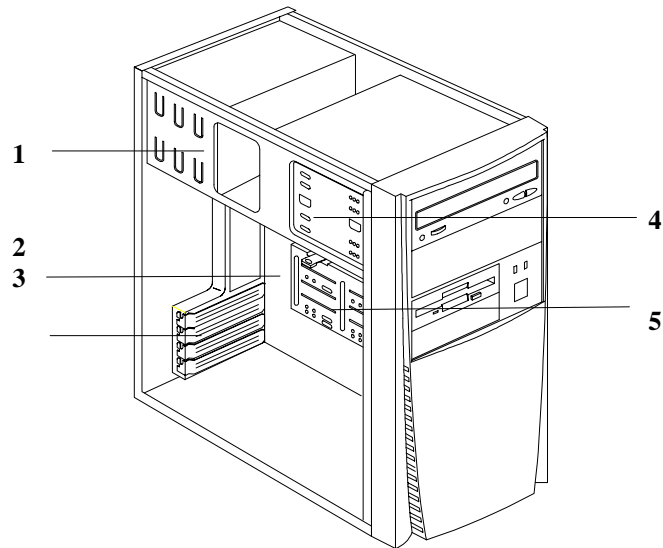
- | | |
|-----------------------------------|----------------------------------|
| 1. CD-ROM drive | 5. Power button |
| 2. 5.25-inch disk drive bay cover | 6. 3.5-inch diskette drive |
| 3. Power indicator LED | 7. 3.5-inch disk drive bay cover |
| 4. Hard disk drive LED | |

1.2 Rear Panel



1. *System main power switch*
2. *Voltage selector*
3. *Monitor power socket*
4. *Fan*
5. *Slot for I/O ports*
6. *Expansion card brackets*

1.3 Inside Components



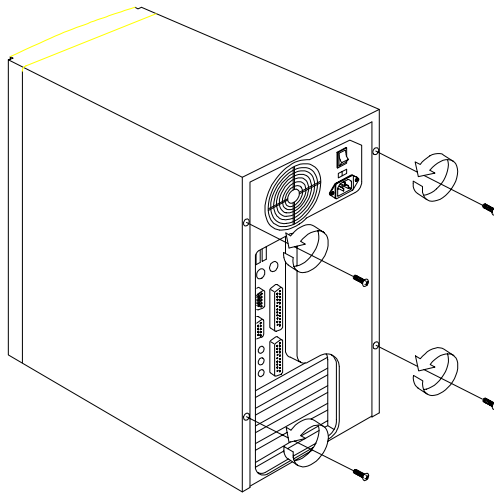
1. *System main power supply*
2. *Space for the motherboard*
3. *Expansion card brackets*
4. *5.25-inch disk drive bay*
5. *3.5-inch diskette drive/HDD drive bay*

2 Component Installation

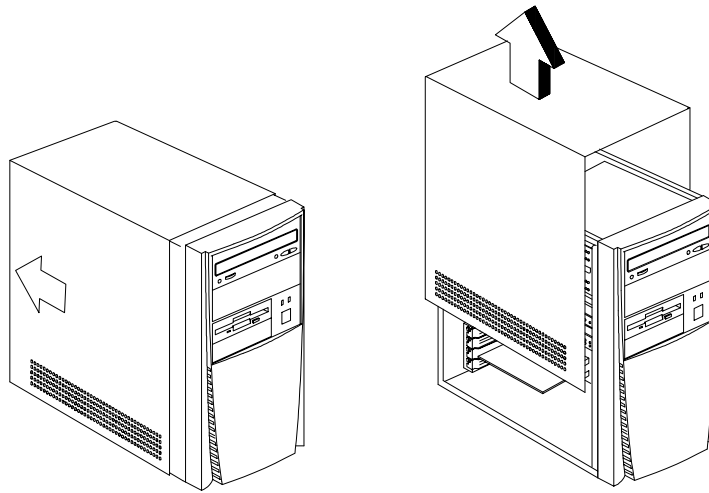


Turn off the system power before opening the system or connecting or removing any peripheral device.

2.1 Opening the Housing



1. Place the system unit on a flat, steady surface.
2. Remove the four screws from the rear panel. Set the screws aside. You will need them when replacing the housing cover.



3. Push the housing cover slightly backward.
4. Pull the housing cover upward and remove it from the chassis.

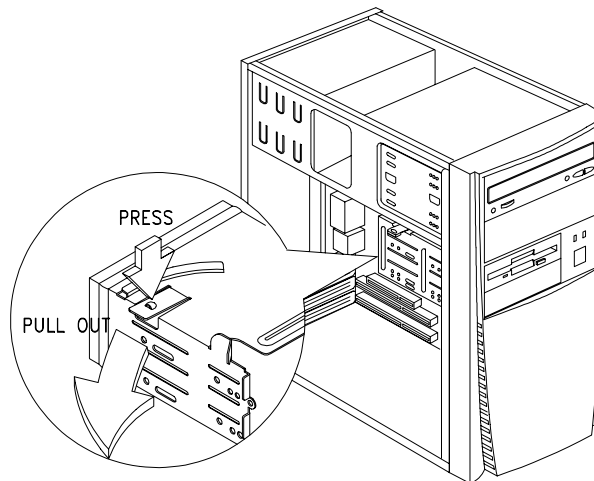
2.2 Installing a System Board

2.2.1 ESD Precautions

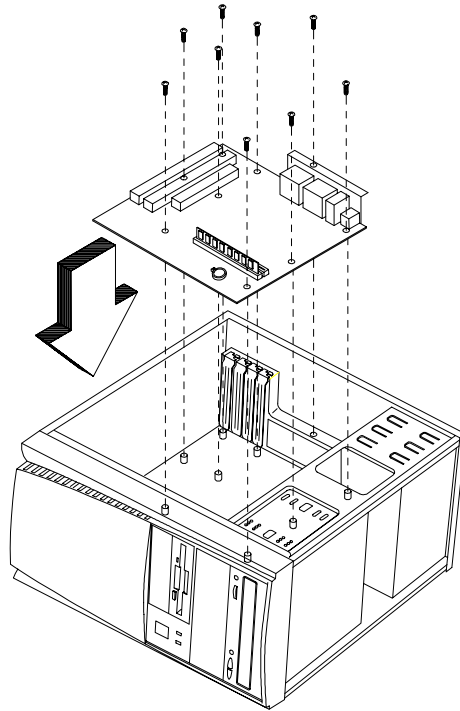
Always observe the following electrostatic discharge (ESD) precautions before installing a system component:

1. Do not remove a component from its anti-static packaging until you are ready to install it.
2. Wear a wrist grounding strap before handling electronic components. Wrist grounding straps are available at most electronic component stores.

2.2.2 Installation Procedures



1. Remove the 3.5-inch drive frame from the housing by pressing the tab on top and pivoting the frame outward.
2. Put the housing to lying position with the open area facing upward.



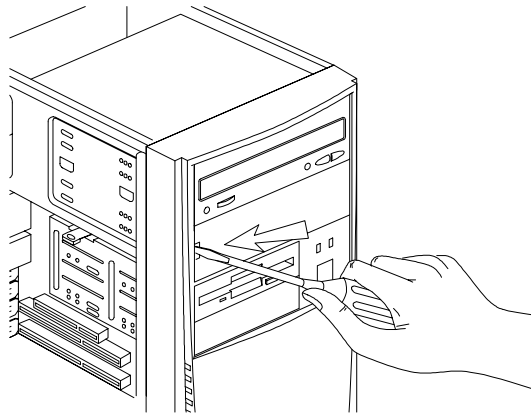
3. Align the board with the pegs on the housing frame.
4. Gently press the board until it is properly seated.
5. Secure the board with the required screws.

2.3 Installing Drives

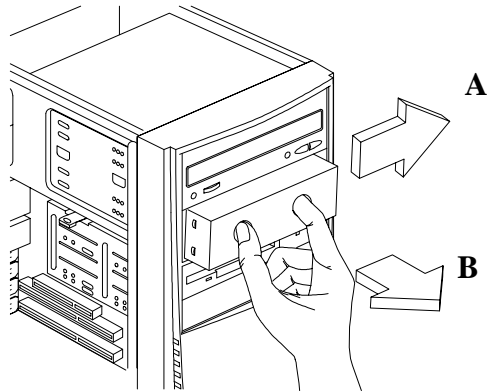
2.3.1 Installing a Drive into the 5.25-inch Drive Bay

Follow these steps to install a 5.5-inch diskette drive or a CD-ROM drive:

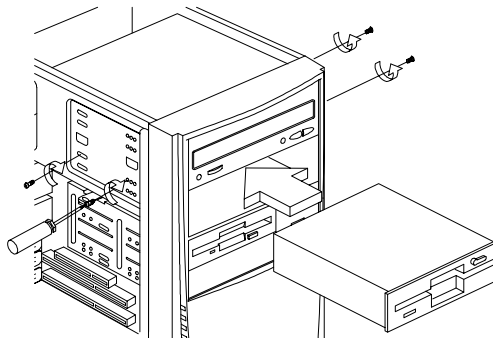
1. Open the disk drive door.



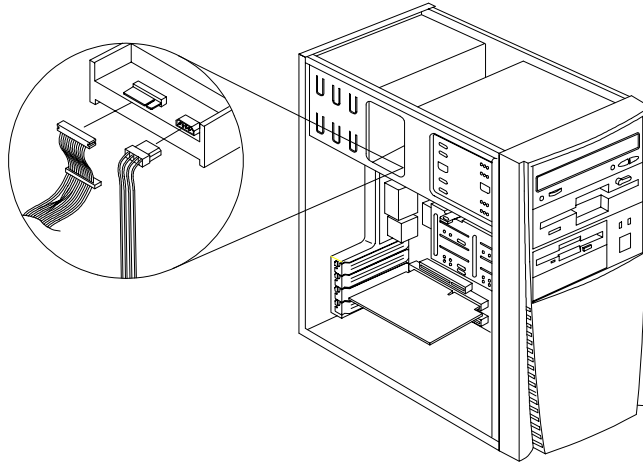
2. Using a flat-head tool, open remove the bay panel.



3. Insert your thumb and forefinger into the holes on the metal bay cover.
4. Pull the metal bay cover to the side until the other end is released, then pull it to remove it from the housing.



5. Insert the 5.25-inch disk drive into the drive bay and secure it with four screws on the side.



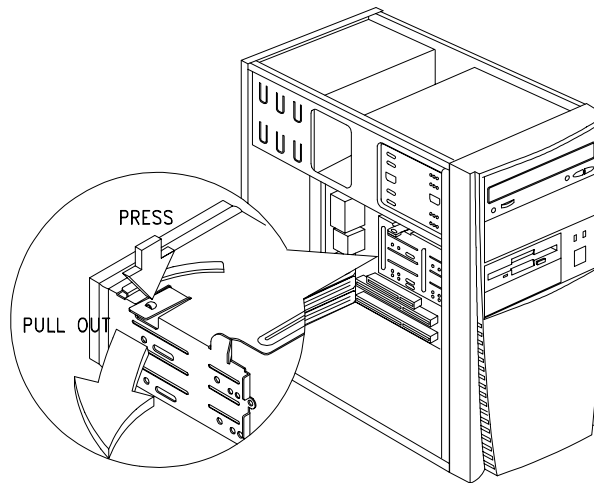
6. Connect the power cable and the disk drive cable.



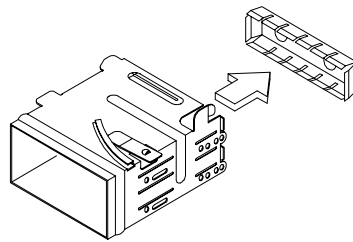
Make sure that the other end of the diskette drive cable is connected to its corresponding connector on the system board.

2.3.2 Installing Drives into the 3.5-inch Drive Bay

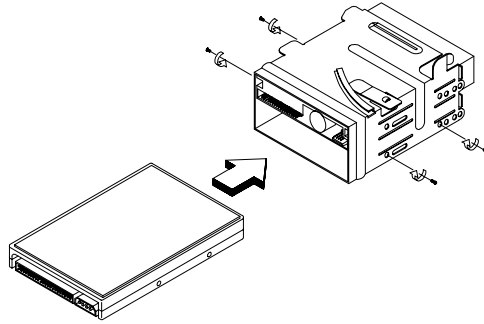
Follow these steps to install a 3.5-inch diskette drive or a hard disk drive:



1. Remove the 3.5-inch drive frame from the housing by pressing the tab on top and pivoting the frame outward.



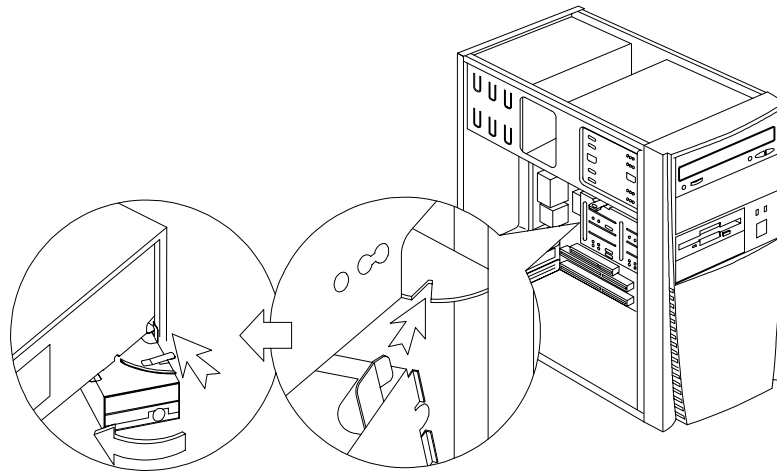
2. Pull out the metal drive cover.



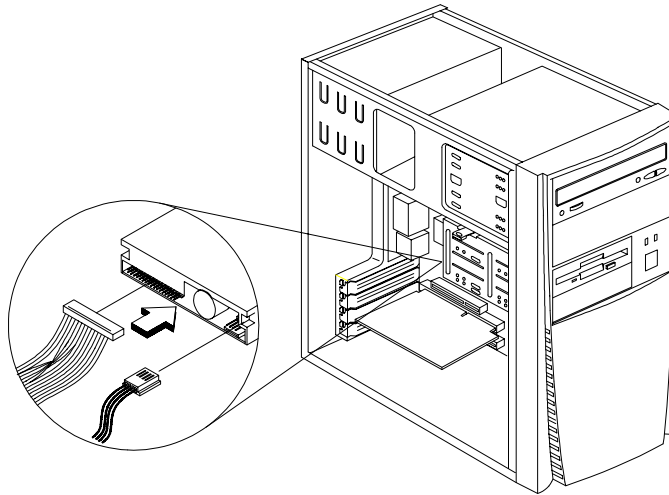
3. Install a 3.5-inch disk drive and secure it with the necessary screws.



When installing drives in the 3.5-inch drive bay, the hard disk is placed always below of the 3.5-inch diskette drive.



4. Reinstall the frame into the housing as in the following figure:
 - a. Align the frame with the notch.
 - b. Pivot the frame toward the housing until the tab clicks into place.



5. Connect the disk drive cables and power cables.



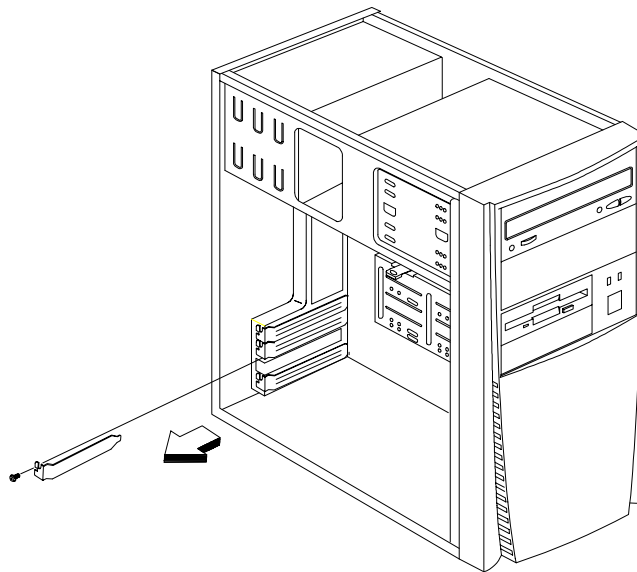
Make sure that the other ends of the diskette drive cables are connected to their corresponding connectors on the system board.

2.4 Installing Expansion Boards

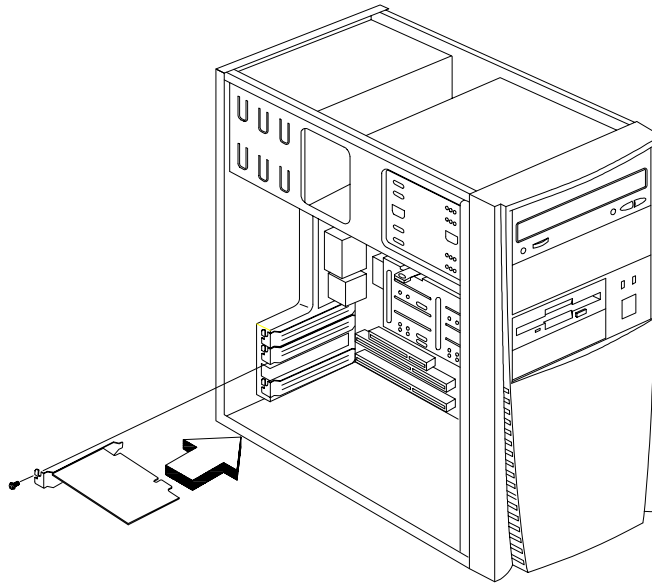
Follow these steps to install a PCI or ISA expansion card:



Observe the ESD Precautions before installing a system component.



1. Study the expansion board installation guide and configure any jumpers as directed.
2. Remove a bracket from any empty expansion slot. Save the screw to secure the new board. Keep the bracket for future use.

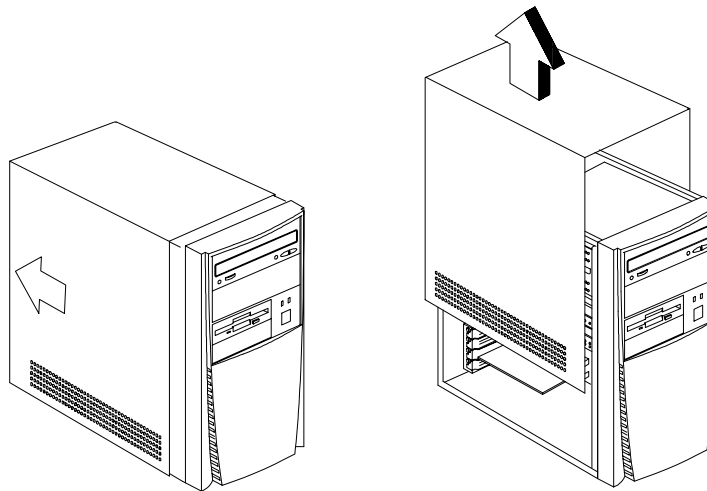


3. Gently insert the board into the appropriate expansion slot. Make sure that the board is properly inserted.
4. Secure the board with the screw.



Do not neglect this step. The board uses the screw for grounding.

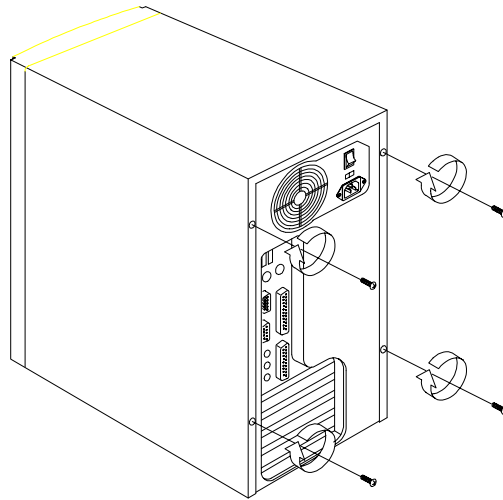
2.5 Reinstalling the Cover



After you install all the necessary system components into the housing, you must reinstall the cover.

To install the cover:

1. Slide down the cover and push it forward until it touches the edge of the front panel.



2. Secure the cover with the necessary screws.