



Veriton FP2  
User's guide

Copyright © 2000 Acer Incorporated  
All Rights Reserved.

Veriton FP2  
User's guide

Changes may be made periodically to the information in this publication without obligation to notify any person of such revision or changes. Such changes will be incorporated in new editions of this manual or supplementary documents and publications. This company makes no representations or warranties, either expressed or implied, with respect to the contents hereof and specifically disclaims the implied warranties of merchantability or fitness for a particular purpose.

Record the model number, serial number, purchase date, and place of purchase information in the space provided below. The serial number and model number are recorded on the label affixed to your computer. All correspondence concerning your unit should include the serial number, model number, and purchase information.

No part of this publication may be reproduced, stored in a retrieval system, or transmitted, in any form or by any means, electronic, mechanical, photocopy, recording, or otherwise, without the prior written permission of Acer Incorporated.

Model Number : \_\_\_\_\_

Serial Number: \_\_\_\_\_

Purchase Date: \_\_\_\_\_

Place of Purchase: \_\_\_\_\_

Acer and the Acer Logo are registered trademarks of Acer Inc. Other company's product names or trademarks are used herein for identification purposes only and belong to their respective companies.

# Notices

## FCC notice

This device has been tested and found to comply with the limits for a Class B digital device pursuant to Part 15 of the FCC Rules. These limits are designed to provide reasonable protection against harmful interference in a residential installation. This device generates, uses, and can radiate radio frequency energy and, if not installed and used in accordance with the instructions, may cause harmful interference to radio communications.

However, there is no guarantee that interference will not occur in a particular installation. If this device does cause harmful interference to radio or television reception, which can be determined by turning the device off and on, the user is encouraged to try to correct the interference by one or more of the following measures:

- Reorient or relocate the receiving antenna
- Increase the separation between the device and receiver
- Connect the device into an outlet on a circuit different from that to which the receiver is connected
- Consult the dealer or an experienced radio/television technician for help

### **Notice: Shield cables**

All connections to other computing devices must be made using shielded cables to maintain compliance with FCC regulations.

### **Notice: Peripheral devices**

Only peripherals (input/output devices, terminals, printers, etc.) certified to comply with the Class B limits may be attached to this equipment. Operation with noncertified peripherals is likely to result in interference to radio and TV reception.



-----

**Caution!** Changes or modifications not expressly approved by the manufacturer could void the user's authority, which is granted by the Federal Communications Commission, to operate this computer.

### **Use conditions**

This part complies with Part 15 of the FCC Rules. Operation is subject to the following two conditions: (1) this device may not cause harmful interference, and (2) this device must accept any interference received, including interference that may cause undesired operation.

**Notice: Canadian users**

This Class B digital apparatus meets all requirements of the Canadian Interference-Causing Equipment Regulations.

**Remarque à l'intention des utilisateurs canadiens**

Cet appareil numérique de la classe B respecte toutes les exigences du Règlement sur le matériel brouilleur du Canada.

## Important safety instructions

Read these instructions carefully. Save these instructions for future reference.

1. Follow all warnings and instructions marked on the product.
2. Unplug this product from the wall outlet before cleaning. Do not use liquid cleaners or aerosol cleaners. Use a damp cloth for cleaning.
3. Do not use this product near water.
4. Do not place this product on an unstable cart, stand, or table. The product may fall, causing serious damage to the product.
5. Slots and openings in the cabinet and the back or bottom are provided for ventilation; to ensure reliable operation of the product and to protect it from overheating, these openings must not be blocked or covered. The openings should never be blocked by placing the product on a bed, sofa, rug, or other similar surface. This product should never be placed near or over a radiator or heat register, or in a built-in installation unless proper ventilation is provided.
6. This product should be operated from the type of power indicated on the marking label. If you are not sure of the type of power available, consult your dealer or local power company.
7. Do not allow anything to rest on the power cord. Do not locate this product where persons will walk on the cord.
8. If an extension cord is used with this product, make sure that the total ampere rating of the equipment plugged into the extension cord does not exceed the extension cord ampere rating. Also, make sure that

- the total rating of all products plugged into the wall outlet does not exceed the fuse rating.
9. Never push objects of any kind into this product through cabinet slots as they may touch dangerous voltage points or short out parts that could result in a fire or electric shock. Never spill liquid of any kind on the product.
  10. Do not attempt to service this product yourself, as opening or removing covers may expose you to dangerous voltage points or other risks. Refer all servicing to qualified service personnel.
  11. Unplug this product from the wall outlet and refer servicing to qualified service personnel under the following conditions:
    - a. When the power cord or plug is damaged or frayed
    - b. If liquid has been spilled into the product
    - c. If the product has been exposed to rain or water
    - d. If the product does not operate normally when the operating instructions are followed. Adjust only those controls that are covered by the operating instructions since improper adjustment of other controls may result in damage and will often require extensive work by a qualified technician to restore the product to normal condition.
    - e. If the product has been dropped or the cabinet has been damaged
    - f. If the product exhibits a distinct change in performance, indicating a need for service.
  12. Replace the battery with the same type as the product's battery we recommend. Use of another battery may present a risk of fire or explosion. Refer battery replacement to a qualified serviceman.
  13. **Warning!** Batteries may explode if not handled properly. Do not disassemble or dispose of them in fire. Keep them away from children and dispose of used batteries promptly.
  14. Use only the proper type of power supply cord set (provided in your accessories box) for this unit. It should be a detachable type: UL listed/CSA certified, type SPT-2, rated 7A 125V minimum, VDE approved or its equivalent. Maximum length is 15 feet (4.6 meters).

## Year 2000 compliance statement

The Veriton FP2 computer carries the "Hardware NSTL Tested Year 2000 Compliant" logo, which certifies that this model has been tested by NSTL using the YMark2000 test, and has been found to meet NSTL's standards for Year 2000 hardware compliance.



For more details, check the Acer Year 2000 Resource Center at <http://global.acer.com/service/pcy2000.html>

## Laser compliance statement

The CD-ROM/DVD-ROM/CD-RW drive in this computer is a laser product. The CD-ROM/DVD-ROM/CD-RW drive's classification label (shown below) is located on the drive.

CLASS 1 LASER PRODUCT

**CAUTION:** INVISIBLE LASER RADIATION WHEN OPEN. AVOID EXPOSURE TO BEAM.

APPAREIL A LASER DE CLASSE 1 PRODUIT

**LASERATTENTION:** RADIATION DU FAISCEAU LASER INVISIBLE EN CAS D'OUVERTURE. EVITER TOUTE EXPOSITION AUX RAYONS.

LUOKAN 1 LASERLAITE LASER KLASSE 1

**VORSICHT:** UNSICHTBARE LASERSTRAHLUNG, WENN ABDECKUNG GEÖFFNET NICHT DEM STRAHL AUSSETZEN

PRODUCTO LÁSER DE LA CLASE I

**ADVERTENCIA:** RADIACIÓN LÁSER INVISIBLE AL SER ABIERTO. EVITE EXPONERSE A LOS RAYOS.

**ADVARSEL:** LASERSTRÅLING VEDÅBNING SE IKKE IND I STRÅLEN

VARO! LAVATTAESSA OLET ALTTINA LASERSÄTEILYLLE.

**WARNING:** LASERSTRÅLNING NÅR DENNA DEL ÅR ÖPPNAD ÅLÅ TUIJOTA SÄTEESEENSTIRRA EJ IN I STRÅLEN

**VARNING:** LASERSTRÅLNING NAR DENNA DEL ÅR ÖPPNADSTIRRA EJ IN I STRÅLEN

**ADVARSEL:** LASERSTRÅLING NAR DEKSEL ÅPNESSTIRR IKKE INN I STRÅLEN

## TCO'99 compliant

The Veriton FP2 is a TCO'99 approved and labelled product. TCO'99 provides international environmental and quality labelling of personal computers. The labelling scheme was developed as a joint effort by the TCO (The Swedish Confederation of Professional Employees), Svenska Naturskyddsforeningen (The Swedish Society of Nature Conservation), Statens Energimyndighet (The Swedish National Energy Administration) and SEMKO AB. The requirements of TCO'99 cover a wide range of issues: environment, usability, reduction of electric and magnetic fields, energy consumption and electrical safety.



For more details, check the TCO Development at <http://www.tco-info.com/>








Notices	iii
1 First things first	1
Package contents	3
Taking care of your computer	4
Important tips	4
Cleaning and servicing	4
Asking for technical assistance	5
Accessing the online manual	6
2 System tour	7
Features	9
Front panel	11
Ports	13
Left panel	14
Keyboard	16
Mouse	19
Disk drives	20
3.5-inch floppy disk drive	20
CD-ROM/DVD-ROM/CD-R/W drive	21
Hard disk drive	23
Second hard disk drive	24
Swapping your modular bay drives	24
3 Setting up your computer	29
Arranging a comfortable work area	31
Adjusting your chair	31
Positioning your Veriton FP2	31
Positioning your keyboard	31
Positioning your mouse	32
Connecting peripherals	33
Power cable	33
USB devices	33
Turning on your computer	35
Adjusting the LCD monitor	36
Turning off your computer	41
4 Adding options to your computer	43
Removing the cable guise	45
To remove the cable guise:	45
To reinstall the cable guise:	46

# Contents

Connecting multimedia devices	47
Connecting to the network	51
Connecting USB joystick and digital camera	52
Connecting a serial mouse	53
Connecting a parallel printer	54
Connecting an external monitor	55
Setting up a modem (optional)	56
Upgrading your computer	57
5 Software	59
PC-cillin	62
PC-Doctor	63
LDCM	64
Reinstalling applications	65
6 Q & A	67
Index	73

# 1 First things first

The background consists of a solid blue color on the right side, which transitions into a large white arrow pointing towards the right. The arrow's tip is on the right edge of the page. The text is centered within the white arrow.

This chapter describes the contents of your computer package and also provides important tips on how to take care of your computer.

## Package contents

Before you unpack your computer, make sure that you have enough space to set up your computer.

Carefully unpack the carton and remove the contents. If any of the following items are missing or damaged, contact your dealer immediately:

- Veriton FP2
- Installation poster
- USB keyboard
- Items contained in the accessory box
  - USB mouse
  - Cable guise
  - Power cable
  - User's guide
- Other user documentation and third-party software

## ▶ Taking care of your computer

Please read the important instructions listed in this section. Following these instructions will help you maximize the durability of your computer.

### Important tips

- Do not expose the computer to direct sunlight. Do not place it near sources of heat, such as a radiator.
- Do not subject the computer to magnetic fields.
- Do not expose the computer to rain or moisture.
- Do not spill water on the computer.
- Do not subject the computer to heavy shock or vibration.
- Do not expose the computer to dust and dirt.
- Never place the system on uneven surfaces.
- Do not step on the power cord or place heavy objects on top of it. Carefully route the power cord and any cables away from personal traffic.
- When unplugging the power cord, do not pull on the cord itself but pull on the plug.
- The total ampere rating of the equipment plugged in should not exceed the ampere rating of the cord if you are using an extension cord. Also, the total current rating of all equipment plugged into a single wall outlet should not exceed the fuse rating.
- Check the documentation that came with your software programs to see if you can select other combinations of resolution and color. These adjustments could make viewing the screen more comfortable.

### Cleaning and servicing

To clean your computer and keyboard

1. Turn off the computer and unplug the power cord.

2. Use a soft cloth moistened with water and gently wipe the exterior of the computer and the keyboard. Do not use liquid or aerosol cleaners.

### To clean your mouse

1. Open the circular cover underneath the mouse.
2. Take out the rubber ball and wipe it with a soft, damp cloth.
3. Put the ball back and close the cover.

### When to contact a service technician

- If you dropped and damaged the computer.
- If liquid has been spilled into the computer.
- If the computer is not operating normally.

### Asking for technical assistance


For technical assistance, contact your local dealer or distributor. You may also access the Acer Web site at <http://www.acer.com/> for information on how and where to contact the service centers available in your area.

## Accessing the online manual

You may also refer to the Veriton FP2 online manual for information about your computer. To access the online manual, simply double-click on the Veriton FP2 Online icon on your Windows desktop.



## 2 System tour

The background of the page is split diagonally from the top-left to the bottom-right. The upper-left portion is white, and the lower-right portion is a solid blue color. A large white arrow shape is formed by the white area, pointing towards the right side of the page.

This chapter discusses the features and components of your computer.

## Features

Here are just a few of your computer's many features:

### Performance

- Intel Celeron™ or Pentium® III processor with integrated L2 cache memory
- Expandable system memory to a maximum of 512 MB
- Power management function
- 3.5-inch slim-type floppy disk drive
- Thin-Film-Transistor (TFT) integrated digital liquid-crystal display (LCD) displaying at 1024x768 eXtended Graphics Array (XGA) resolution
- Slim-type CD-ROM/DVD-ROM/CD-RW drive
- High-capacity, Enhanced-IDE hard disk
- Instant on feature provides immediately available system
- Support OS WinME and Win2000

### Multimedia

- 2X Accelerated Graphics Port (AGP) video graphic accelerator provides upgradability to 4x AGP cards
- Both cathode-ray tube (CRT) and LCD display support
- 3-D quality audio system via onboard audio controller
- Built-in speakers
- Line-in, Line-out, Microphone-in, and Headphone-out interfaces

### Connectivity

- 10Base-T/100Base-TX network support with remote wake-up function
- One serial and one parallel interface
- Four Universal Serial Bus (USB) ports (available on front and left

panels)

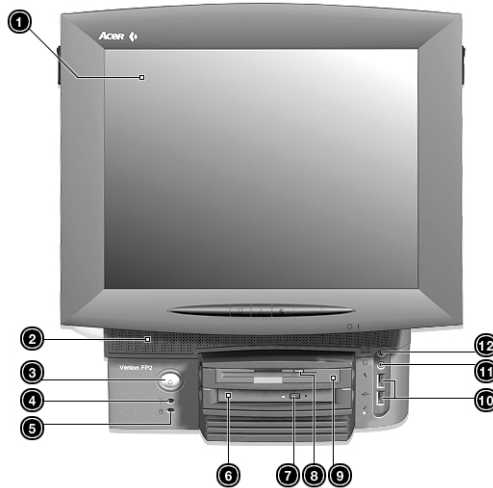
- High-speed fax/data PCI modem (optional)

Human-centric design and ergonomics

- Slim, smooth and stylish design
- Space-saver solution
- Low-emission and low radiation

## ▶ Front panel

Your computer's front panel consists of the following:



Label	Description
1	LCD panel
2	Speakers
3	Power button
4	Power activity light-emitting diode (LED)
5	Hard disk drive LED
6	CD-ROM/DVD-ROM/CD-R/W drive
7	CD-ROM/DVD-ROM/CD-R/W drive eject button
8	3.5-inch floppy disk drive eject button
9	3.5-inch floppy disk drive

Label	Description
10	Microphone-in jack (pink port)
11	Headphone-out jack (orange port)

**Remark:** Floppy and optical devices may vary in different models and different countries.

## Ports








Your computer offers several ports that allow you to connect peripheral devices. These ports are found on the left panel of your computer.

For information on how to connect the peripherals, see “Connecting peripherals” on page 33 and “Adding options to your computer” on page 43.



## ▶ Left panel

Your computer's left panel consists of the following:



Label	Icon	Color	Component
1		Light blue	Audio-in/Line-in jack
2		Lime	Audio-out/Line-out jack
3			Network port
4		White	LCD monitor port (DVI-type)
5			Adapter jack (for LCD panel only)
6		Black	USB ports
7		Blue	CRT monitor port
8		Teal or Turquoise	Serial port

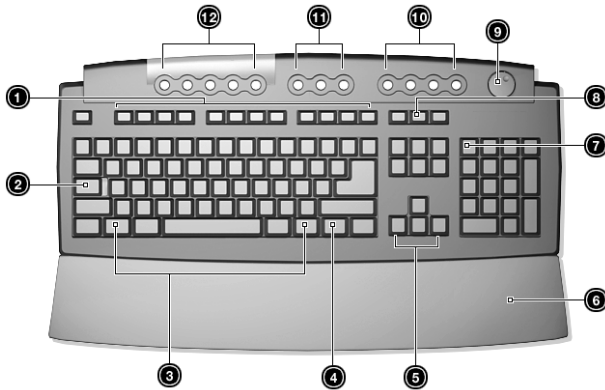


Label	Icon	Color	Component
9			Handset/telephone line ports (optional)
10			Expansion slot
11		Burgundy	Parallel/Printer port

## Keyboard








Your computer comes with a USB keyboard. The keyboard has full-sized keys that include separate cursor keys, two Windows keys, and twelve function keys.

For information on how to connect your USB keyboard, see “Connecting peripherals” on page 33.



Label	Component	Description
1	Function keys	Access most of the computer's controls like screen brightness, volume output and the BIOS utility
2	Caps lock	When activated, all alphabetic characters typed appear in uppercase (same function as pressing <b>Shift</b> + <letter>).

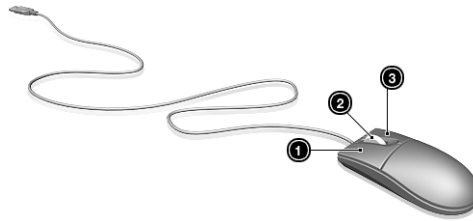
Label	Component	Description
3	Windows logo key	<p>Start button. Combinations with this key perform special functions, such as:</p> <ul style="list-style-type: none"> <li>• <b>Windows + Tab:</b> Activate the next Taskbar button</li> <li>• <b>Windows + E:</b> Explore My Computer</li> <li>• <b>Windows + F:</b> Find Document</li> <li>• <b>Windows + M:</b> Minimize All</li> <li>• <b>Shift + Windows + M:</b> Undo Minimize All</li> <li>• <b>Windows + R:</b> Display Run dialog box</li> </ul>
4	Application key	Opens the applications context menu (same function as clicking the right button of the mouse).
5	Cursor keys	Also called the arrow keys, let you move the cursor around the screen. They serve the same function as the arrow keys on the numeric pad when the Num lock is toggled off.
6	Palm rest	Provides a comfortable place to rest your hands on while typing and is detachable.
7	Num lock	When activated, the keypad is set to numeric mode, i.e., the keys function as a calculator (complete with arithmetic operators such as +, -, x, and /).
8	Scroll lock	When activated, the screen moves one line up or down when you press the up arrow or down arrow respectively. Take note that Scroll Lock may not work with some applications.
9	Volume control/ Mute	The volume control/mute knob controls the speaker volume. Turn it clockwise or counterclockwise to adjust the volume. Press it to toggle between mute and sound.

Label	Component	Description
10	Multimedia keys	<p>Allow you to do the following:</p> <ul style="list-style-type: none"> <li>• <b>Play/Pause button</b>  - press to start playing the audio or video file. Press again to pause.</li> <li>• <b>Stop button</b>  - press to stop playing the audio or video file.</li> <li>• <b>Forward button</b>  - press to skip forward to the next file and start playing.</li> <li>• <b>Backward button</b>  - press to skip backward to the previous file and start playing.</li> </ul>
11	Internet/Suspend keys	<p>Consist of three buttons:</p> <ul style="list-style-type: none"> <li>• <b>Email button</b>  launches your email application.</li> <li>• <b>Web browser button</b>  launches your current default browser.</li> <li>• <b>Suspend/Resume button</b>  puts the system to sleep when pressed. To wake the system press it again.</li> </ul>
12	Programmable keys	<p>Access a URL (Web site) or launch any program, file or application in your system. The fifth key is set to launch the Microsoft Media Player.</p> <p><b>To configure the settings of each key, right-click on the Magic Keyboard icon located on your Windows desktop.</b></p>

## ▶ Mouse

Your computer may come with a USB mouse. The mouse has one ratchet wheel and two buttons: a right button and a left button. Quickly pressing and releasing the buttons is called clicking. Sometimes, you will need to do a double-click (clicking the same button twice quickly) or a right-click (clicking the right button quickly).

For information on how to connect your USB mouse, see “Connecting peripherals” on page 33.



Label	Component	Description
1	Left button	Allows you to select with a click and execute with a double-click.
2	Ratchet wheel	Allows you to easily scroll. By moving the wheel with your index finger, you can quickly move through multiple pages, lines or windows. Also functions as a third button allowing you to quickly click or double-click an icon or a selected item.
3	Right button	Opens the applications context menu.

For information on how to clean your mouse, see “To clean your mouse” on page 5.



**Note:** If you are left-handed, refer to your Windows manual for instructions on how to set up your mouse for left-handed use.

## ▶ Disk drives

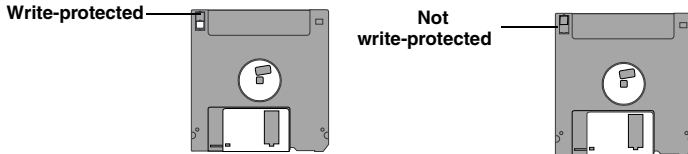
Your computer comes with the following disk drives.

### 3.5-inch floppy disk drive

Your computer's 3.5-inch floppy disk drive can handle 720-KB and 1.44-MB capacity diskettes.

The floppy diskettes are compact, lightweight, and easy to carry around. Here are some tips on how to take care of your diskettes:

- Always make backup copies of the diskettes that contain important data or program files.
- Keep diskettes away from magnetic fields and sources of heat.
- Avoid removing a diskette from a drive when the floppy drive activity light is on.
- Write-protect your diskettes to prevent accidental erasure. To do this, slide the write-protect tab to the write-protect position.



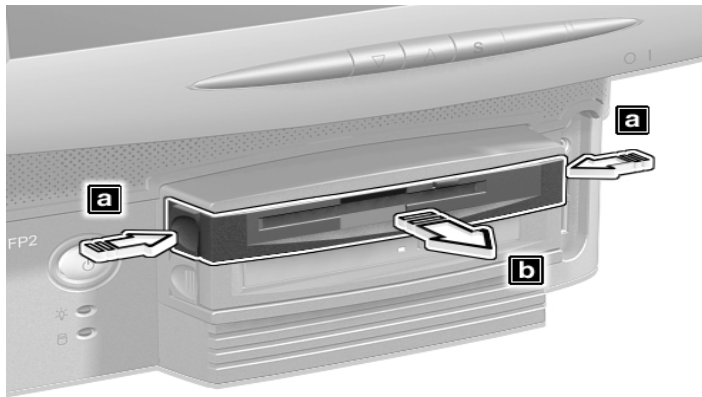
- When you put a label on a 3.5-inch diskette, make sure that the label is properly attached (flat on the surface) and within the labeling area (area with a slight surface depression) on the diskette. An improperly attached label may cause a diskette to get stuck in a drive when you are inserting or removing it.

### To remove the floppy disk drive



**Note:** You can only remove the floppy disk drive when the computer is turned on, and if you want to swap the floppy disk drive, you need to enter a correct password before you can remove the drive. For more information on setting, disabling and changing the password and swapping bay drives, see page 24.

Press the release buttons located on both sides of the floppy disk drive and pull out the drive.



## CD-ROM/DVD-ROM/CD-R/W drive

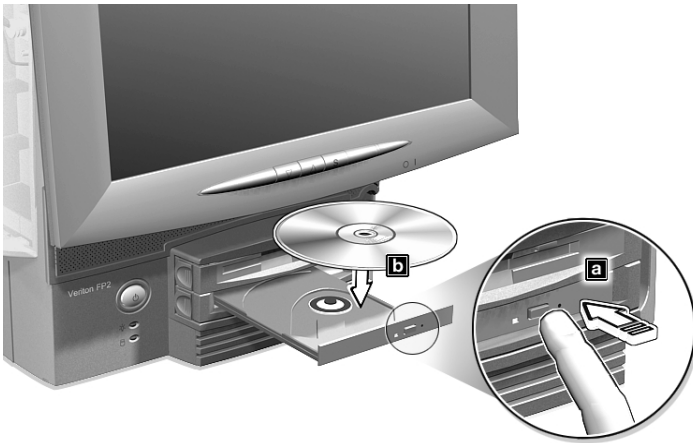
Your CD-ROM, DVD-ROM or CD-R/W drive is located on the front panel of your computer. The CD-ROM drive allows you to play different types of compact discs (CDs). The DVD-ROM drive allows you to play not only CD-ROM's, CD-I discs, and video CDs, but new Digital Video Discs (DVDs) as well. Meanwhile the CD-R/W drive allows you to record CD-R/W (Recordable and Rewritable) discs.

CDs and DVDs, like diskettes, are compact, lightweight, and easy to carry around. However, they are more delicate than diskettes and must be handled with extra care.

To insert a CD/DVD into your computer's CD-ROM/DVD-ROM/CD-R/W drive:

1. a. Gently push the eject button located on the front panel.  
b. When the disc tray slides open, pull the tray out and insert the CD/

DVD. Make sure that the label or title side of the disc is facing upward.



**Caution!** Hold the CD/DVD by the edges to avoid leaving smudges or fingerprints.

2. Gently press the disc down to make sure that it is properly inserted.



**Caution!** While pressing the CD/DVD, be careful not to bend the disc tray. Make sure that the CD/DVD is properly inserted before closing the disc tray. Improper insertion may damage both the CD/DVD and the CD-ROM/DVD-ROM/CD-R/W drive.

3. Gently close the tray.

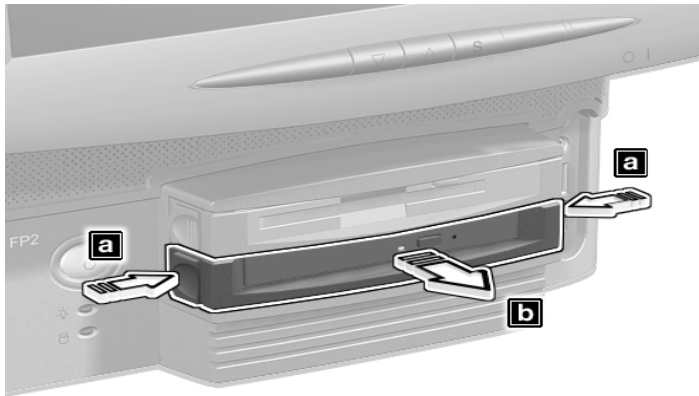
To remove the CD-ROM/DVD-ROM/CD-R/W drive



**Note:** You can only remove the CD-ROM/DVD-ROM/CD-R/W drive when the computer is turned on, and if you want to swap the CD-ROM/DVD-ROM/CD-R/W drive with another drive, you need to enter a correct password before you can remove the CD-ROM/DVD-ROM/CD-R/W drive. For more information on setting, disabling and changing the password and swapping bay drives, see page 24.



Press the release buttons located on both sides of the CD-ROM/DVD-ROM/CD-R/W drive and pull out the drive.



To take care of your CDs and DVDs:

- Keep your discs in a disk case when not in use to avoid scratches or other damage. Any kind of dirt or damage can affect the data on the disc, impair the disc lens reader on the CD-ROM/DVD ROM/CD-R/W drive, or stop the computer from successfully reading the disc.
- When handling discs, always hold them by the edges to avoid smudges or fingerprints.
- When cleaning discs, use a clean, dust-free cloth and wipe in a straight line from the center to the edge. Do not wipe in a circular motion.
- Clean your CD-ROM/DVD ROM/CD-R/W drive periodically. You may refer to the Cleaning Kit for instructions. Cleaning Kits can be purchased in any computer or electronics shop.

## Hard disk drive

Your computer is preinstalled with a high-capacity Enhanced-IDE (E-IDE) hard disk drive. If you want to replace your hard disk or upgrade it, contact your dealer or a qualified service technician for support.

## Second hard disk drive

Your computer may come with a slim type second hard disk drive. You may also swap the second hard disk drive with another drive, but you may need to enter a correct password before you can remove the second hard disk drive.

## Swapping your modular bay drives

You can swap drive modules in and out of the modular bay without turning the computer off. The modular bays accept a variety of drive modules including the following:

- diskette drive
- CD-ROM drive
- DVD-ROM drive
- CD-R/W drive
- second hard disk

Besides the hot-swap capability, the computer gives added protection by allowing you to set a password. If set, you need to enter the correct password before you can swap a device out of the modular bay.



-----  
**Important:** Before pulling out any drive, click the HotIDE icon to disable the security lock.

To set, disable or change a password, follow these steps:

1. Click the HotIDE icon  on the Windows taskbar.



2. Select **Password**.



3. If the password is enabled, the Input password box appears. Enter the correct password.



If the password you entered is incorrect, the password error box

appears and then exits.



4. If the password you entered is correct or the password is not enabled, the password screen appears. You have three options:
- enable the password - click **Enable**.
  - disable the password - click **Disable**.
  - change the password - click **Change...** The Change password box appears. Enter the old password, new password twice (the second to confirm), and click on **OK**.



To swap modular bay drives, follow these steps:

1. Click the HotIDE icon  on the Windows taskbar.

2. Select **Swap devices**.



3. If a password is set and enabled, a password input box appears. Enter the correct password.
4. The disk drive controller is disabled and unlocked then the plug-in device message dialog box appears. Before you run the HotIDE utility, you must close all programs that you are using. To do this, click the **Continue** button.



5. When the swap device message dialog box appears, pull out the drive and insert another drive then click on **OK**.




The disk drive controller is enabled and locked. You can now use the new drive.

You may insert the floppy disk drive in the upper drive bay only. Refer to the table below for the drive bay position where you can insert your drive modules:

<b>Drive module type</b>	<b>Upper drive bay</b>	<b>Lower drive bay</b>
FDD	yes	no
CD-ROM	yes	yes
DVD-ROM	yes	yes
CD-R/W	yes	yes
Second hard disk	yes	yes

# 3 Setting up your computer



This chapter contains step-by-step instructions on how to set up your computer.



## ▶ Arranging a comfortable work area

Working safely begins with the arrangement of your work space and the proper use of equipment. For this reason, it is very important to take time and think about how you are going to arrange your work area.

Here are some points to consider:

### Adjusting your chair

Having the right kind of chair does not necessarily mean that you'll be properly supported. It is necessary to adjust your chair to fit your body. Proper body posture will make you more comfortable and productive.

- Avoid tilting your chair. If you have a chair that tilts, lock those tilt knobs so that your chair will not tilt forward or backward while you are using your computer.
- Adjust your chair height in such a way that you can sit on it with your thighs parallel to the floor and your feet resting flat on the floor.
- Rest your body on the chair back. Your torso works harder to maintain balance if you do not rest your body on the chair back.

### Positioning your Veriton FP2

Take note of the following tips when selecting a location for your computer:

- Do not put your computer near any equipment that might cause electromagnetic or radio frequency interference such as radio transmitters, televisions, copy machines, or heating and air-conditioning equipment.
- Avoid dusty areas and extremes of temperature and humidity.

### Positioning your keyboard

The location of the keyboard is a very important factor to your posture. Placing it too far away will make your body lean forward forcing you to sit

in an unnatural position. Placing it too high will add tension to your shoulder muscles.

- The keyboard has a palm rest that gives comfortable support for your hands when you use the computer. Attach the palm rest by aligning the hinges of the palm rest to the holes located under the keyboard.
- The keyboard should be placed just above your lap. Adjust the keyboard height by flipping the folding stands located under the keyboard.
- Keep your lower arms parallel to the floor as you type. Your upper arms and shoulders should be relaxed. Then try typing with a light touch. If you feel any shoulder or neck strain, stop for a while and check your posture.
- Position your keyboard in front of your monitor. Putting your keyboard beside your monitor will make you turn your head while you type which could add tension to your neck muscles that may later result in neck strain.

## Positioning your mouse

- The mouse should be placed on the same surface as your keyboard so that you can reach it with ease.
- Adjust its position to allow enough space for movement without making you stretch or lean over.
- Use your arm to move the mouse. Do not rest your wrist on the table when moving the mouse.

## ▶ Connecting peripherals

Setting up your computer is easy. For the most part, you only have to connect the power cable, USB keyboard and mouse.

### Power cable



**Caution!** Before you proceed, check the voltage range in your area. Make sure that it matches your computer's voltage setting (see the voltage setting switch located on the rear panel of your computer). If they don't match, change your computer's voltage setting according to your area's voltage range.


Plug the power cable into the power cable socket located on the rear panel of your computer. Then plug the other end of the power cable into a power outlet.



### USB devices

Universal Serial Bus (USB) is a newer serial bus design that is capable of cascading low-/medium-speed peripherals (less than 12 Mbps) such as a

keyboard, mouse, joystick, scanner, digital camera, printer and modem. With USB, complex cable connections can be eliminated.

Your computer comes with four USB ports: two each on the front panel and left panel. These ports allow you to connect additional serial devices to your computer without using up its system resources. To connect a USB keyboard or mouse, simply plug the device cable into any of the USB ports  (black ports).



**Note:** Some USB device have a built-in USB port which allows you to daisy-chain other devices.

## ▶ Turning on your computer

After connecting the necessary peripherals and plugging in the power cable, you are now ready to turn the computer on and get to work.

To turn on your computer:

Press the power button located on the front panel of your computer,



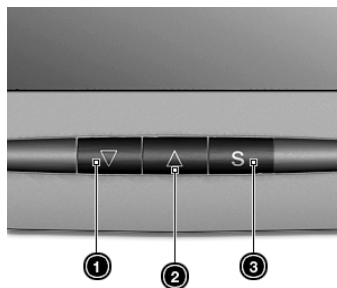
**Important:** Make sure that the power cable is properly plugged into an electrical outlet. If you are using a power strip or an AVR (Auto-Voltage Regulator), make sure that it is plugged in and turned on.

If your LCD monitor does not work when your computer is turned on, locate and turn on the switch under your LCD monitor. The switch is on by default when the LCD monitor is shipped from the factory.



## Adjusting the LCD monitor

The control panel located on the front of your LCD monitor allows you to enter and adjust the settings in the on-screen display (OSD) Main Menu.



There are three keys in the control panel which allow you to adjust the LCD monitor, namely:

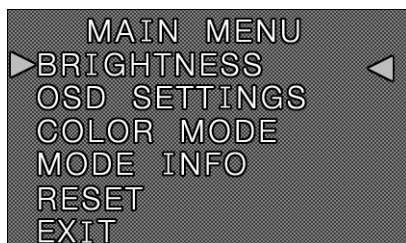
Label	Key Type	Description
1	▽ key	Allows you to adjust the parameter setting to a lower value
2	△ key	Allows you to adjust the parameter setting to a higher value
3	<b>S</b> key	Allows you to select and enter the items in the main menu

## On-screen display

The on-screen display (OSD) has the following settings:

### 1. Main Menu

To enter the main menu, press any key ( ▽ , △ or **S** ) located on the control panel.



### 2. Brightness

The brightness setting allows you to adjust the brightness of your OSD with up to 32 levels of brightness. To enter the brightness setting, press the **S** key, and if you want to adjust the brightness level,

press the  $\nabla$  or  $\triangle$  key.



### 3. OSD settings

You can adjust the horizontal or vertical position of the OSD and also adjust its timer setting.



- Position X setting - allows you to adjust the horizontal position of the OSD.

Press the  $\nabla$  or  $\triangle$  key, to move the OSD to the desired horizontal position. To keep the position of the OSD, press the **S** key.

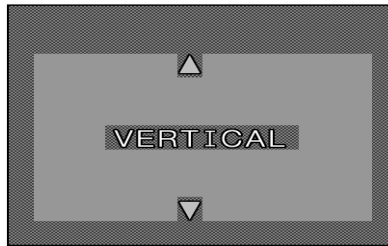


- Position Y setting - allows you to adjust the vertical position of the OSD.

Press the  $\nabla$  or  $\triangle$  key, to move the OSD to the desired vertical



position. To keep the position, simply press the **S** key.

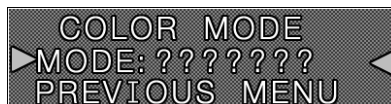


- Timeout setting - allows you to set how much time the OSD menu will be displayed on your screen. You may press the  $\nabla$  or  $\triangle$  key to set the timer to 5, 10 or 15 seconds, or to automatic disable.
4. Color mode

To adjust the color settings of the OSD, position the cursor on Mode and press the **S** key to change the setting to Normal, Graphics or Video.



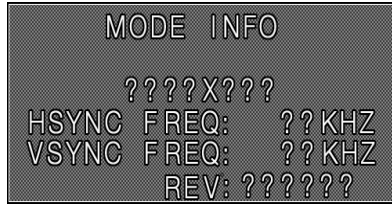
**Note:** For more improved/brighter graphics display while playing video games, use the “Graphics” setting. For enhanced video while viewing movies, set the mode to “Video” setting.



5. Mode info

The Mode Info indicates the screen resolution and vertical/horizontal frequency of the OSD. The **????X???** in the Mode Info Menu indicates the screen resolution set in the Windows 2000 or Windows

ME display properties screen.



You can change the screen resolution settings by clicking the Windows Start menu, pointing to Settings, clicking Control Panel, double-clicking Display and then clicking on the Settings tab.

6. Reset

The reset setting from the main menu allows you to reload the previously saved values in the Position X or Y, Timeout and Color Mode settings.



7. Exit

To quit the OSD menu, select Exit or wait 5 seconds (OSD has a default Timeout setting of 5 seconds).


## ▶ Turning off your computer

To turn off your computer, do either of the following:

- From your Windows desktop, click on **Start, Shut Down...** and select **Shut down**; then click on **OK**.
- Turn off all peripherals connected to your computer, and then, press the power button for at least four seconds. Quickly pressing the button may put the computer in Suspend mode only.



# 4 Adding options to your computer



Aside from the mouse and keyboard, you can also connect additional peripherals to your computer. This chapter will tell you how to connect additional peripherals and what to do if you want to upgrade your computer.

## ▶ Removing the cable guise

You may need to remove the cable guise before you can connect additional peripherals to your computer; otherwise, you won't be able to access the ports.

To remove the cable guise:

1. Press the release latch located on top of the cable guise.
2. Pull out the cable guise.



## To reinstall the cable guise:

1. Align the cable guise's hinges to the housing frame and then gently push it in to snap it back into place.



**Note:** When reinstalling the cable guise, arrange all the peripheral cables so that they run through the hole provided on the lower part of the cable guise.

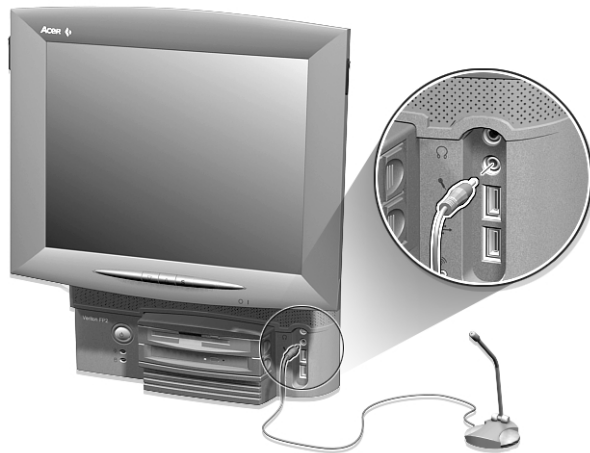


## ▶ Connecting multimedia devices

You can connect multimedia devices such as a microphone, headphones, earphones or external speakers. These devices will allow you to take advantage of your computer's multimedia features.

Plug the devices in as follows:

- microphone: connect to the Microphone-in jack 🎤 (pink port) located on the front panel of your computer.



- earphones, headphones: connect to Headphone-out jack 🎧 (orange port) located on the front panel of your computer.




**Important:** When headphones and earphones are connected, the internal and external speakers will be disabled.




**Note:** To adjust the volume of the headphones, turn the Volume control/Mute knob located on the keyboard or click on the Volume Icon located on the taskbar at the bottom of your screen. When the volume control pops up, drag the volume control lever to the desired level.



- external speakers: connect to the Audio-out/Line out jack  (lime port) located on the left panel of your computer.




**Note:** For information on how to configure the multimedia devices, consult the documentation that came with each device.

- external CD player: connect to the Audio-in/Line-in jack  (light blue port) located on the left panel of your computer.



- other audio line-out devices: connect to the Line-out port (lime port) located on the left panel of your computer.


## ▶ Connecting to the network

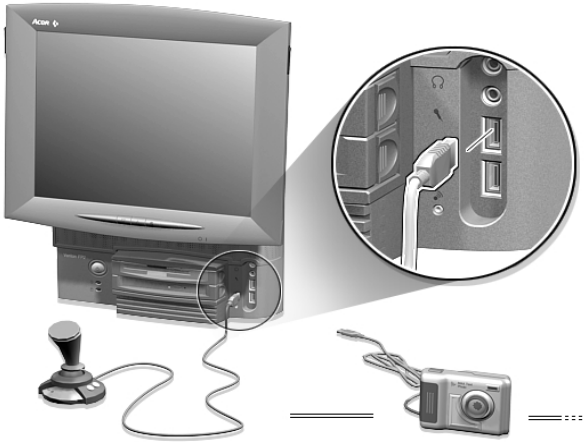
You can connect your computer to a Local Area Network (LAN) using a network cable. To do so, simply plug the network cable into the network port  on the left panel of your computer.



**Note:** Consult your operating system manual for information on how to configure your network setup.


## ▶ Connecting USB joystick and digital camera

To connect a USB joystick or digital camera, simply plug the device cable into any of the USB ports  (black ports).

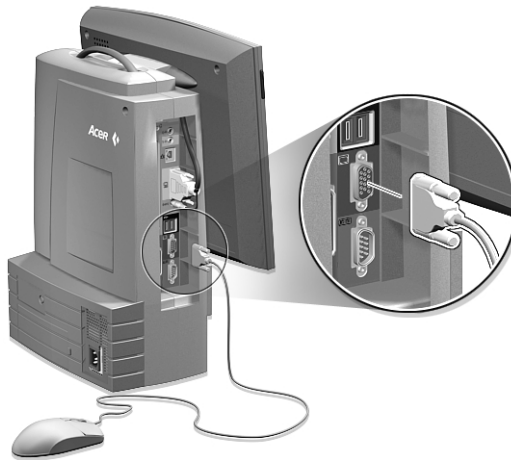


**Note:** Most USB devices have a built-in USB port which allows you to daisy-chain other devices.

## ▶ Connecting a serial mouse

You can also connect a serial mouse to your computer. To connect one, simply plug the mouse cable into the serial port  (teal or turquoise port) located on the left panel of your computer.

To enable the serial mouse, use the Add New Hardware tool in the Windows Control Panel. Refer to your Windows manual for more information.



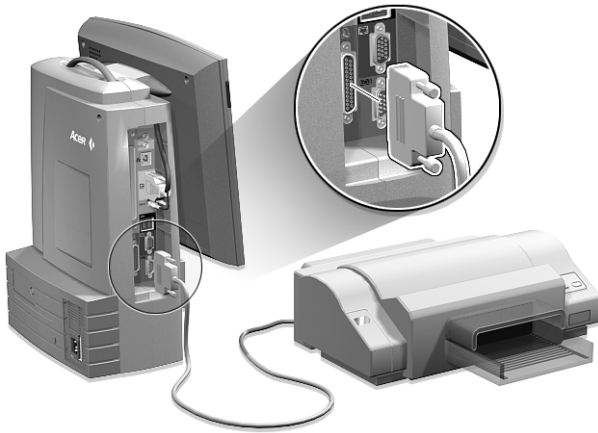
## ▶ Connecting a parallel printer


Your computer supports both serial and parallel printers.

To connect a parallel printer, plug the printer cable into the parallel port




(burgundy port) located on the left panel of your computer.

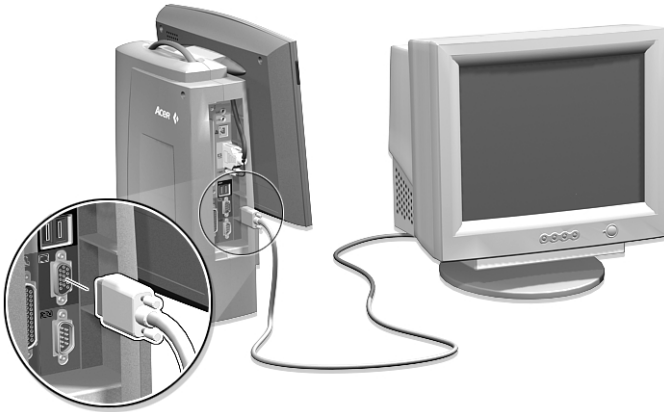


To connect a serial printer, plug the printer cable into the serial port  (teal or turquoise port) located on the left panel of your computer. See “Left panel” on page 14 for the location of the serial port.





## ▶ Connecting an external monitor

Your computer supports both CRT and LCD display. To connect an external CRT monitor, simply plug the monitor cable into the CRT monitor port  (blue port) located on the left panel of your computer.



**Note:** Refer to the monitor manual for additional instructions and information.

## ▶ Setting up a modem (optional)

Set up your modem connection by plugging the telephone line  and handset  into their corresponding ports on the left panel of your computer.

Refer to the figure below for the connections.




## ▶ Upgrading your computer

Certain aspects of your computer are upgradable such as the CPU, memory, graphic cards and hard disk. However, for safety purposes, we do not recommend that you perform these upgrades yourself. Please contact your dealer if you wish to upgrade your computer or replace components.



# 5 Software



This chapter describes the software applications that came with your computer.

Your computer comes with the following applications:

- PC-cillin
- PC Doctor
- LDCM

All of the applications that came with your computer are very easy to use. However, if you need more help and information, you may refer to the online help documentation provided in each application.

## PC-cillin

PC-cillin is an antivirus program designed to scan and clean computer viruses from your computer's hard drive and floppy drive. To ensure the integrity of your computer data, you should scan your hard drive on a regular basis. Fixes for newly-discovered viruses may not be included in the software provided with your computer. You may contact your software vendor or Trend Micro's Web site ([www.trendmicro.com](http://www.trendmicro.com)) for updates.

To run PC-cillin:

1. Select the **PC-cillin** icon from your Windows desktop.
2. Select the drives, directory, or files you want to scan.
3. Select the scan option to begin the virus check. If PC-cillin finds any infected files, it will list several options for you to follow.



## PC-Doctor

PC-Doctor contains comprehensive hardware diagnostics and system information tests that you can run to verify the functionality of your computer's hardware components. Components can be tested individually or together according to your preferences. If you suspect that you may have a hardware component failure, you will need to run this program prior to contacting your manufacturer for technical support.

You may also use this utility to check and obtain detailed information about your computer. This information will serve as reference and may help diagnose system problems.

To run PC-Doctor, do either of the following:

- If you are running Windows:
  - a. Select the **PC-Doctor** icon from your Windows desktop.
  - b. Follow the directions on the screen.

For more information about PC-Doctor, you may refer to the following Web site: [www.ws.com](http://www.ws.com)

## LDCM

LANdesk Client Manager (LDCM) allows desktop management via the Web, standard network, or dial-up connections. It is compatible with the leading management specifications, such as Wired for Management 2.0, Desktop Management Interface (DMI) v2.0, and others.

The basic features of the LDCM are as follows:

- **System Information** - helps locate available computers in your network and collects general computer information like operating system, protocols, addresses, etc.
- **Configuration Information** - shows the configuration of each device (i.e., BIOS, I/O ports, hard disks, network interface cards, etc.) installed in each computer in a network.
- **Fault Management** - checks the computers for hardware errors and observes whether or not a certain device has exceeded its threshold value. If so, the program notifies the system administrator or shuts down the computer to protect it from further damage.

LDCM may not be preloaded on your computer. In such a case, you will need to install it. To do so, do the following:

1. Make sure that your computer is turned on.
2. Insert the Programs CD that came with your computer into the CD-ROM/DVD-ROM/CD-R/W drive.



-----

**Caution!** Make sure that the CD is properly inserted into the CD-ROM/DVD-ROM/CD-R/W drive. Improper insertion may damage both the CD and the disc drive. For instructions, please see "To insert a CD/DVD into your computer's CD-ROM/DVD-ROM/CD-R/W drive:" on page 21.

3. Follow all onscreen instructions until you finish the installation.



-----

**Note:** LDCM currently supports Windows Me and Windows 2000.


## ▶ Reinstalling applications

If you uninstall one of the preinstalled programs and want to reinstall it, do the following:

1. Make sure the system is turned on.
2. Insert the Programs CD into the CD-ROM/DVD-ROM/CD-R/W drive.
3. Select the application that you want to reinstall.
4. Follow all onscreen instructions until you finish the installation.



# 6 Q & A



This chapter tells you what to do in case your computer is not working properly. However, if a more serious problem arises, contact your dealer or the technical support center for assistance.

The following questions are possible situations that may arise during the use of your computer and each is followed by easy answers and solutions to the situation.

**Q:** I pressed the power button but the system did not boot up.

**A:** Check the LED located below the power button.

If the LED is not lit, no power is being applied to the system. Do any of the following:

- Check if you plugged the power cable properly into an electrical outlet.
- Check if the switch under the LCD monitor of your computer is switched to “ON” (1). See page 35 for the location of the switch on your LCD monitor.
- If you are using a power strip or AVR, make sure that it is plugged in and turned on.

If the LED is lit, check the following:

- Is a nonbootable (nonsystem) diskette in the floppy drive? If yes, remove or replace it with a system diskette and press **Ctrl + Alt + Del** to restart your computer.
- The operating system files may be damaged or missing. Insert the startup disk you created during Windows setup into the floppy disk drive and press **Ctrl + Alt + Del** to restart your computer. This will automatically diagnose your system and make necessary fixes. However, if the diagnostic utility still reports a problem, then you may have to insert the Recovery CD that came with your system to restore it to its original factory default settings.



-----  
**Caution!** If you use the Recovery CD all files previously saved to your computer will be lost.

**Q:** Nothing appears on the screen.

**A:** Your computer’s power management function automatically blanks the screen to save power. Just press any key to turn the display back on.

If pressing a key does not work, contact your dealer or the technical support center for support.

**Q:** The printer does not work.

**A:** Do the following:

- Make sure that the printer is connected to a power outlet and that it is turned on.
- Make sure that the printer cable is connected securely to the system's parallel port and the corresponding port on the printer. See "Connecting a parallel printer" on page 54 for information on how to connect the printer to your computer.
- For additional information concerning the printer, refer to the printer's documentation.

**Q:** No sound comes out from the computer.

**A:** Check the following:

- The volume may be muted. Under Windows, look for the volume control icon on the taskbar. If it is crossed-out, click on the icon and deselect the **Mute** option.
- If headphones, earphones, or external speakers are connected to the line-out port of your computer, the internal or built-in speakers are automatically turned off.

**Q:** System cannot read diskette, hard disk, and/or CD/DVD information.

**A:** Check the following:

- Make sure that you are using the correct type of disc or diskettes. See "Disk drives" on page 20.
- Check if the diskette is formatted correctly. If not, format it again.
- Make sure the diskette or CD/DVD is inserted into the drive correctly.
- Check if the CD/DVD is clean and not scratched.
- Check your drive by using a good (i.e., undamaged) diskette or a good CD/DVD. If your floppy disk drive or CD-ROM/DVD-ROM/CD-R/W drive can not read the information on the good diskette or CD/DVD, there may be a problem with the drive. Contact your dealer or technical support center for help.

**Q:** System cannot write diskette and/or hard disk information.



**A:** Check the following:

- Make sure the diskette or hard disk is not write-protected. See “Disk drives” on page 20.
- Make sure that you are using the correct type of disc or diskette. See “Disk drives” on page 20.
- Check if the diskette is formatted correctly. If not, format it again.

**Q:** Cannot eject the CD/DVD/CD-R/W tray.

**A:** There is a mechanical eject button on the CD-ROM, DVD-ROM or CD-R/W drive. Simply insert the tip of a pen or paperclip and push the eject button.

**Q:** Cannot find LCD monitor on the Windows 2000 or Windows Me display properties dialog box.

**A:** You need to update the Windows 2000 or Windows Me setup information for your Acer Veriton 15” LCD monitor. You can download the updated file from the Acer Web site at <http://www.acer.com/> .

**Q:** There is no picture on the screen.

**A:** Check the following:

- Press any key and move the mouse to deactivate the power saving mode.
- If the cable connector pins of the LCD monitor are bent or there are missing pins, contact your dealer or technical support center for help.

**Q:** Characters look too dark or too light.

**A:** You can adjust the brightness setting in the on-screen display ( OSD ) Main Menu. See “Adjusting the LCD Monitor” on page 36.





# Index

## A

- adding options
  - cable guise 45
    - reinstall 46
    - remove 45
  - external monitor 55
  - modem 56
  - multimedia devices 47
    - CD player 50
    - earphones, headphones 47
    - external speakers 49
    - microphone 47
  - network 51
  - parallel printer 54
  - serial mouse 53
  - USB joystick and digital camera 52
- adjusting LCD monitor 36
  - on-screen display 37

## C

- computer maintenance 4
  - cleaning 4
  - servicing 4

## D

- disk drives 20
  - CD-ROM/DVD-ROM/CD-R/W drive 21
    - inserting 21
    - remove 22
    - taking care CDs and DVDs 23
  - floppy drive 20
    - not write protect 20
    - remove 20
    - write protect 20
  - hard disk drive 23
  - second hard disk drive 24
  - swapping bay
    - password 24
  - swapping drives 24

## F

- features 9
  - connectivity 9
  - design 10
  - ergonomics 10

- multimedia 9
- performance 9
- front panel 11

## **K**

- keyboard 16

## **M**

- mouse 19

## **O**

- on-screen display
  - brightness mode 37
  - color mode 39
  - exit 40
  - main menu 37
  - mode info 39
  - OSD settings 38
    - position X 38
    - position Y 38
    - timeout 39
  - reset 40

## **P**

- ports 13

## **Q**

- Q&A 69

## **S**

- setting up computer 31, 33
  - area 31
  - chair 31
  - keyboard 31
  - mouse 32
  - power cable 33
  - USB devices 33
- software
  - LDCM 64
  - PC-cillin 62
  - PC-doctor 63
  - reinstalling applications 65

## **T**

- turning off computer 41
  - software shutdown 41
  - suspend mode 41
- turning on computer 35
  - main power switch 35
  - power button 35

**U**

upgrade

computer 57

network 54

