


**Dear Customer,** thank you for choosing the Acer e300 Series Travel Companion. Please follow the instructions below to set up your Portable Navigator. For more detailed information, please refer to the User's Guide included on the CD in the box.

**Step 1 Personalizing your Acer e300 Series Travel Companion**

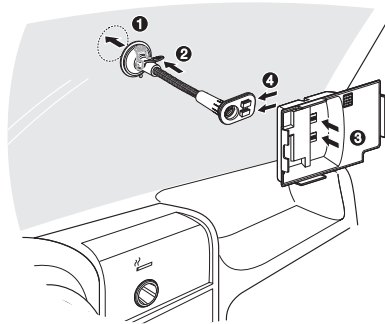
1. After turning on your device, calibrate the screen: on the Main Menu, tap on "Settings", "Misc.", "Calibrate", and follow the onscreen instructions.
2. Language setup: on the Main Menu, tap on "Settings", then tap on "Language" and then choose your preferred language.



3. To set the date: on the Main Menu, tap on "Settings", tap on "Date/Time" and set the correct time and date.
4. Switch to Landscape mode: tap on "Settings", tap on "Misc.", tap on "Switch to Landscape".
5. To return to the main menu, tap on .

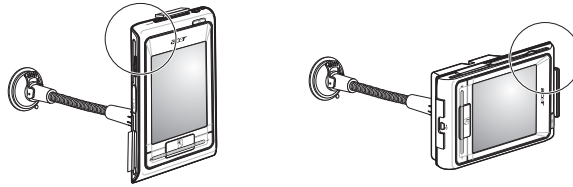
**Step 2 Installing the Acer e300 Series Travel Companion in your car**

1. Set up the car mount kit by fixing the suction cup holder to the back of the car cradle and mounting it to your windshield (or any suitable flat, smooth surface).



2. Insert the supplied SD card into the Acer e300 Series Travel Companion.
3. Attach the Acer e300 Series Travel Companion to the car cradle.

4. The internal antenna of your device is located as shown, for the best GPS reception, make sure to mount your device in the correct position as shown in the illustration .



5. Connect the charger to the Acer e300 Series Travel Companion and cigarette lighter of your car.
6. Your Acer e300 Series Travel Companion will automatically start charging (the LED will show orange).
7. Press the power button to switch on your Acer e300 Series Travel Companion.

### Step 3 Planning your trip

1. On the Main Menu, tap on "Navigation".
  2. Please read the onscreen information carefully and tap on "Agree".
  3. Refer to the software user's guide for more information.
- Please make sure that your Acer e300 Series Travel Companion has a clear and unobstructed view of the sky (e.g., you're not in your garage, in a tunnel or under a bridge). Please keep in mind that when using your Acer e300 Series Travel Companion for the first time, it may take some time to ascertain your position.

Note:

- We strongly recommend that you back up your memory card before use.
- Your SD card holds your maps. DO NOT delete its content or format the card.
- Make sure your Acer e300 Series Travel Companion is in good viewing position and it does not obstruct your view of the road in front of you or your mirrors.
- For optional accessories, go to your local dealer or log on to [www.acer.com](http://www.acer.com) for more information.

You can find the hot-line numbers at the back of the Acer e300 Series Travel Companion warranty booklet. Or, to reach the Navigation software hot-line, refer to your Navigation software user's guide.