

# Acer LCD TV Contents

AT4220A/AT3720A  
AT3220A  
User's Guide

<b>Important safety instructions</b>	<b>3</b>
Disposal instructions	3
<b>First things first</b>	<b>4</b>
Packing checklist	4
<b>Your LCD TV overview</b>	<b>4</b>
Front panel view	4
Rear panel view	5
<b>Remote control</b>	<b>6</b>
General keys	6
<b>Basic connections</b>	<b>7</b>
Connecting the power cord	7
Setting up the remote control	7
<b>Enjoying analog TV</b>	<b>7</b>
Connecting an antenna/cable	7
Getting started watching your TV	7
<b>Connecting external audio/video devices</b>	<b>8</b>
Connecting a DVD, VCR, STB or audio/video equipment	8
Connecting a camera, camcorder or video game	9
Connecting a PC or notebook computer	9
Selecting the input source	9
<b>OSD navigation</b>	<b>10</b>
Navigating the OSD with the remote control	10
Adjusting the OSD settings	11
<b>Empowering Technology</b>	<b>12</b>
Set-up Empowering mode	12
Default setting in different Empowering mode	13
<b>Advanced features</b>	<b>14</b>
PIP/PBP/POP	14
Lock TV	16
Parental Control	18
Re-scan for channels	21
Widescreen display mode	22
<b>Troubleshooting</b>	<b>23</b>
Product specifications	24



Copyright © 2006. Acer Incorporated.  
All Rights Reserved.

Acer LCD TV User's Guide  
Original Issue: 06 / 2006

Changes may be made periodically to the information in this publication without obligation to notify any person of such revisions or changes. Such changes will be incorporated in new editions of this manual or supplementary documents and publications. This company makes no representations or warranties, either expressed or implied, with respect to the contents hereof and specifically disclaims the implied warranties of merchantability or fitness for a particular purpose.

Record the model number, serial number, purchase date, and place of purchase information in the space provided below. The serial number and model number are indicated on the label affixed to your device. All correspondence concerning your unit should include the serial number, model number, and purchase information.

No part of this publication may be reproduced, stored in a retrieval system, or transmitted, in any form or by any means, electronically, mechanically, by photocopy, recording, or otherwise, without the prior written permission of Acer Incorporated.

Model Number: \_\_\_\_\_

Serial Number: \_\_\_\_\_

Purchase Date: \_\_\_\_\_

Place of Purchase: \_\_\_\_\_

Acer and the Acer Logo are registered trademarks of Acer Inc. Other companies' product names or trademarks are used herein for identification purposes only and belong to their respective companies.



# Important safety instructions

Read these instructions carefully. Please put them somewhere safe for future reference.

- 1 Follow all warnings and instructions marked on the product.
- 2 Unplug this product from the wall outlet before cleaning. Do not use liquid cleaners or aerosol cleaners. Use a damp cloth for cleaning.
- 3 Do not use this product near water.
- 4 Do not place this product on an unstable cart, stand or table. The product may fall, sustaining serious damage.
- 5 Slots and openings are provided for ventilation; to ensure reliable operation of the product and to protect it from overheating, these openings must not be blocked or covered. The openings should never be blocked by placing the product on a bed, sofa, rug or other similar surface. This product should never be placed near or over a radiator or heat register or in a built-in installation unless proper ventilation is provided.
- 6 This product should be operated from the type of power indicated on the marking label. If you are not sure of the type of power available, consult your dealer or local power company.
- 7 Do not allow anything to rest on the power cord. Do not locate this product where the cord will be stepped on.
- 8 If an extension cord is used with this product, make sure that the total ampere rating of the equipment plugged into the extension cord does not exceed the extension cord ampere rating. Also, make sure that the total rating of all products plugged into the wall outlet does not exceed the fuse rating.
- 9 Never push objects of any kind into this product through cabinet slots as they may touch dangerous voltage points or short-out parts, which could result in a fire or electric shock. Never spill liquid of any kind on the product.
- 10 Do not attempt to service this product yourself, as opening or removing covers may expose you to dangerous voltage points or other risks. Refer all servicing to qualified service personnel.
- 11 Unplug this product from the wall outlet and refer servicing to qualified service personnel under the following conditions:
  - a. When the power cord or plug is damaged or frayed.
  - b. If liquid has been spilled into the product.
  - c. If the product has been exposed to rain or water.
  - d. If the product does not operate normally when the operating instructions are followed. Adjust only those controls that are covered by the operating instructions. Improper adjustment of other controls could result in damage; extensive work by a qualified technician might then be required to restore the product to normal condition.
  - e. If the product has been dropped or the case has been damaged.
  - f. If the product exhibits a distinct change in performance, indicating a need for service.
- 12 Use only the proper type of power supply cord set (provided in your accessories box) for this unit. Always disconnect the power cord from the wall outlet before servicing or disassembling this equipment.
13. Do not overload an electrical AC outlet, power strip, or convenience receptacle. The overall system load must not exceed 80% of the branch circuit rating. If power strips are used, the load should not exceed 80% of the power strip input rating.
- 14 Some products are equipped with a three-wire electrical grounding-type plug that has a third pin for grounding. This plug only fits into a grounded electrical outlet. This is a safety feature. Make sure the AC outlet is properly grounded. Do not defeat the safety purpose of the grounding-type plug by trying to insert it into a non-grounded outlet. If you cannot insert the plug into the outlet, contact your electrician to replace the obsolete outlet.



The grounding pin is an important safety feature. It is possible to receive an electric shock from a system that is not properly grounded



The grounding pin is also providing good immunity ability against unexpected noise that interferes performance of this product and is produced by other nearby electrical devices.

## Disposal instructions

Do not throw this electronic device into the trash when discarding. To minimize pollution and ensure utmost protection of the global environment, please recycle.

For more information regarding WEEE, please refer to <http://global.acer.com/about/environmental.htm>



### USA

For electronic products containing an LCD/CRT monitor or display: Lamp(s) inside this product contain mercury and must be recycled or disposed of according to local, state or federal laws. For more information, contact the Electronic Industries Alliance at [www.eiae.org](http://www.eiae.org). For lamp-specific disposal information, check [www.lamprecycle.org](http://www.lamprecycle.org).



### FCC Notice

This device complies with Part 15 of the FCC Rules. Operation is subject to the following two conditions: (1) this device may not cause harmful interference, and (2) this device must accept any interference received, including interference that may cause undesired operation.

However, there is no guarantee that interference will not occur in a particular installation. If this device does cause harmful interference to radio or television reception, which can be determined by turning the device off and on, the user is encouraged to try to correct the interference by one or more of the following measures:

- Reorient or relocate the receiving antenna.
- Increase the separation between the device and receiver.
- Connect the device into an outlet on a circuit different from that to which the receiver is connected.
- Consult the dealer or an experienced radio/television technician for help.

### Notice: Shielded cables

All connections to other computing devices must be made using shielded cables to maintain compliance with FCC regulations.

### Notice: Peripheral devices

Only peripherals (input/output devices, terminals, printers, etc.) certified to comply with the Class B limits may be attached to this equipment. Operation with non-certified peripherals is likely to result in interference to radio and TV reception.

### Caution

Changes or modifications not expressly approved by the manufacturer could void the user's authority, which is granted by the Federal Communications Commission, to operate this computer.

### Operation conditions

This device complies with Part 15 of the FCC Rules. Operation is subject to the following two conditions: (1) this device may not cause harmful interference, and (2) this device must accept any interference received, including interference that may cause undesired operation.

### Notice: Canadian users

This Class B digital apparatus complies with Canadian ICES-003.

Remarque à l'intention des utilisateurs canadiens

Cet appareil numérique de la classe B est conforme à la norme NMB-003 du Canada.

### LCD pixel statement

The LCD unit is produced with high-precision manufacturing techniques. Nevertheless, some pixels may occasionally misfire or appear as black or red dots. This has no effect on the recorded image and does not constitute a malfunction.

## First things first

We would like to thank you for making the Acer LCD TV your choice. With proper care, your new Acer LCD TV will provide you with years of entertainment and satisfaction.

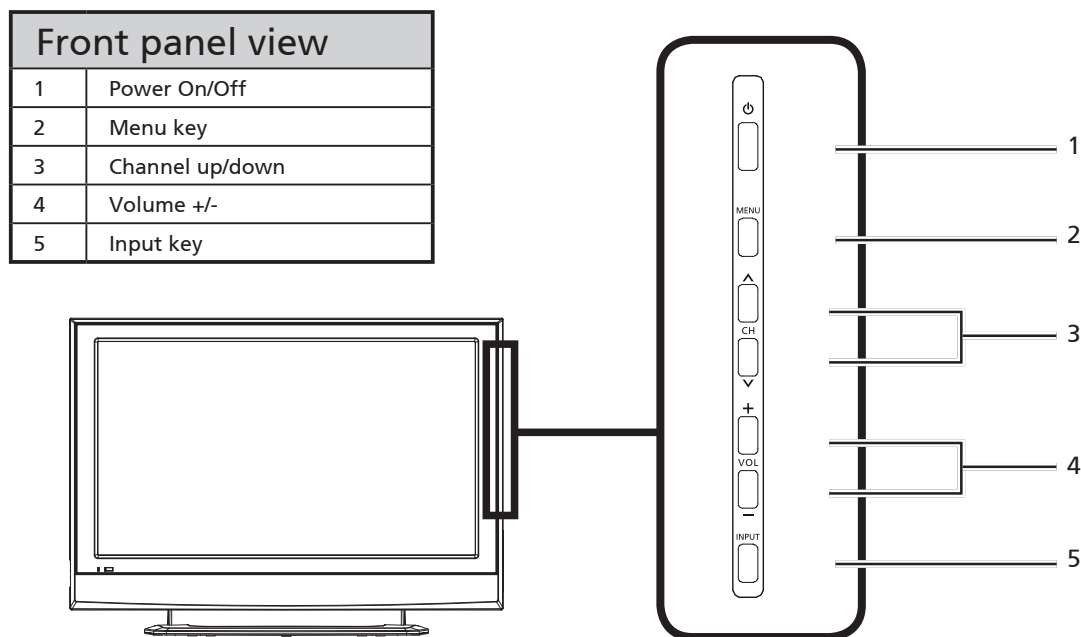
This User's Guide introduces you to the various features your LCD TV can offer, and provides clear and concise information about the product, so please read it thoroughly and retain it for future reference.

## Packing checklist

Your LCD TV package should contain the following accessories, in addition to the accessory box. Please ensure that they are all present. If any of the items is missing, then please contact your retailer.

- Remote control (x1) / AAA batteries (x2)
- Power cord (x1)
- User's Guide / Quick Guide

## Your LCD TV overview



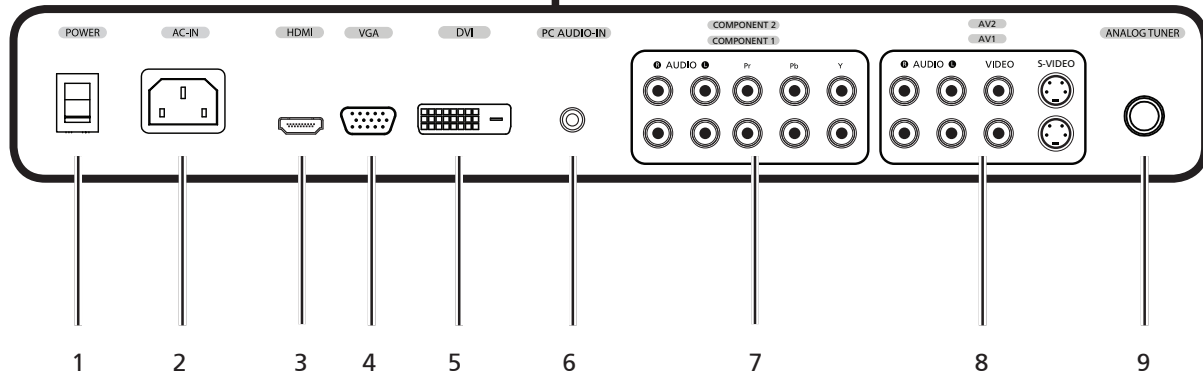
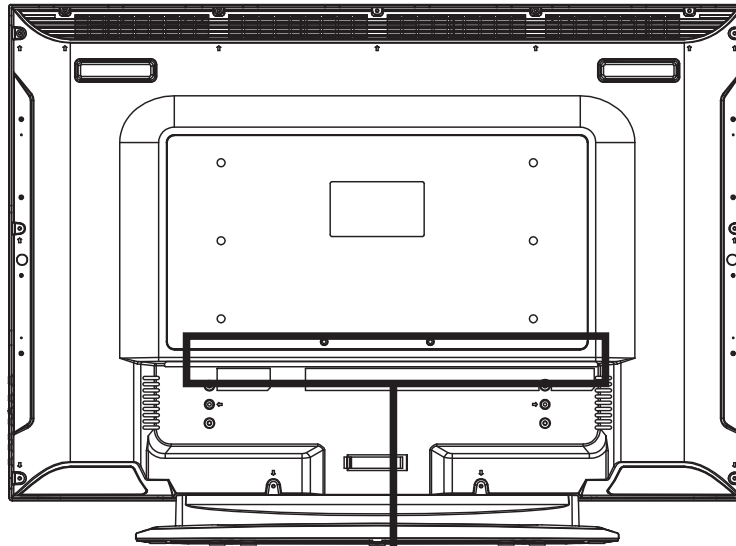
2	MENU	Menu key	Turns the OSD menu ON and OFF
3	CH ^	Channel up	When the OSD is on, functions the same as the Up arrow
	CH v	Channel down	When the OSD is on, functions the same as the Down arrow
4	VOL +	Volume up	When the OSD is on, functions the same as the Right arrow
	VOL -	Volume down	When the OSD is on, functions the same as the Left arrow
5	INPUT	Input key	When the OSD is on, press this button to confirm selection



## Rear panel view

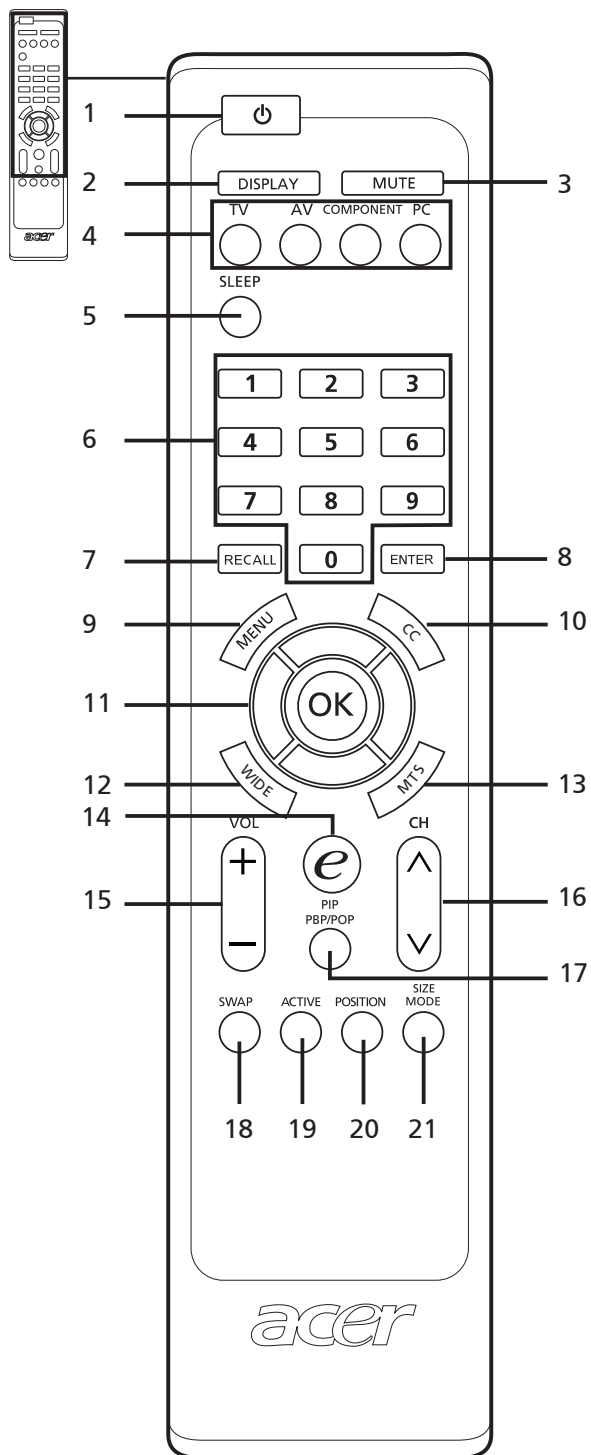
1	Power switch	2	AC-in
3	HDMI	4	VGA-in
5	DVI-D	6	PC Audio-in
7	AV-Audio L/R + COMPONENT 1/2	8	AV-Audio L/R + CVBS 1/2
9	Analog antenna		

English



# Remote control

## General keys



- 1 **POWER**  
Press to turn your TV on/off.
- 2 **DISPLAY**  
Press to display input/channel information (dependent on input/source type).
- 3 **MUTE**  
Press to toggle audio on and off.
- 4 **Input buttons (TV/AV/COMPONENT/PC)**  
Press to select correct input mode.
- 5 **SLEEP**  
Press to set a time period after which the TV will switch itself to standby (15, 30, 45, 60, 90 or 120 minutes).
- 6 **Number keys.**
- 7 **RECALL**  
Press to return to the previous channel.
- 8 **ENTER**  
Press to confirm channel number selection.
- 9 **MENU**  
Press to open or close the Menu.
- 10 **CC**  
Press to select close caption and text service between CC1, CC2, CC3, CC4, Text1, Text2, Text3, Text4.
- 11 **Directional keys/OK**  
**VOL (up/down), CH (up/down)**
- 12 **WIDE**  
Press to toggle scaling mode between 4:3, 16:9, Panorama and Letterbox 1, 2, 3 modes.
- 13 **MTS**  
Press to switch the sound system between stereo, main and SAP. Information is displayed in the top right-hand corner.
- 14 **e (Empowering Technology)**  
Press to activate Acer Empowering Technology. See page 12.
- 15 **VOL (+/-)**  
Press to increase or decrease the volume.
- 16 **CH (up/down)**  
Press to sequentially select the TV channel.
- 17 **PIP/PBP/POP**  
Switch between PIP/PBP/POP modes. See page 14.
- 18 **SWAP**  
For PIP/PBP mode: Toggle between the primary and subscreens.
- 19 **ACTIVE**  
Toggle between primary and subscreens.
- 20 **POSITION**  
When in PIP mode: Change subscreen position.
- 21 **SIZE/MODE**  
When in PIP mode: Change subscreen size. See page 14.  
When in POP mode: Switch POP mode from 1+5 to 1+12. See page 15.

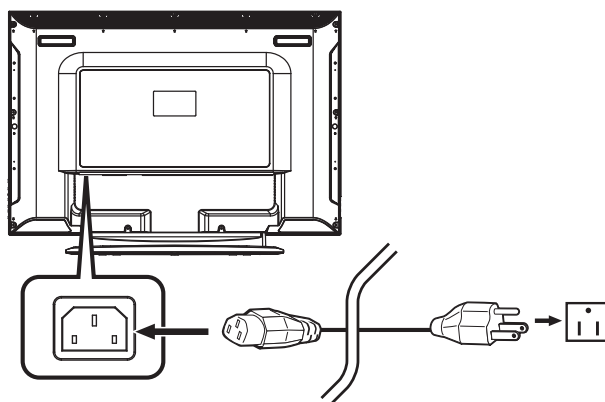
## Basic connections

### Connecting the power cord

- 1 Connect the AC cord into the AC input on the back of the set.
- 2 Connect the plug to the wall outlet as shown.

### Setting up the remote control

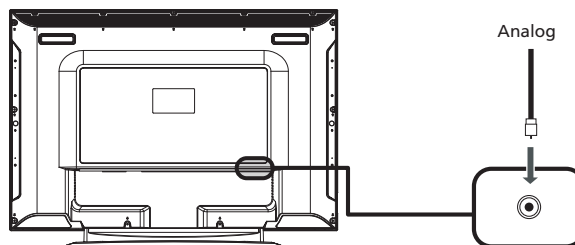
- 1 Open the cover on the back of the remote unit.
- 2 Insert two AAA batteries (supplied) to match the polarity indicated inside the battery compartment.



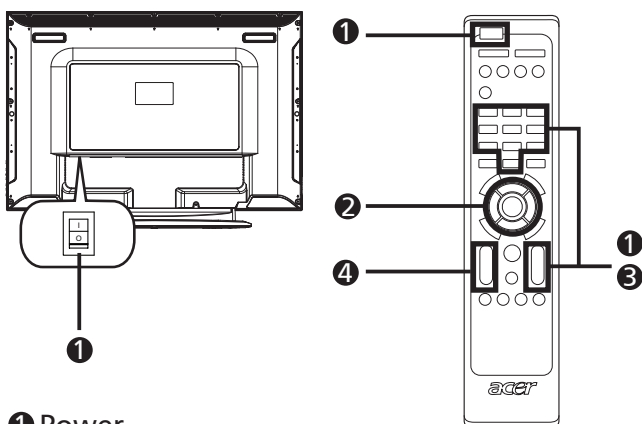
## Enjoying analog TV

### Connecting an antenna/cable

Connect the antenna cable to the appropriate antenna terminal on the back of the TV set as shown below.



### Getting started watching your TV



#### 1 Power

- a. Turn on the power switch beneath the screen.
- b. Press the **power** button, **number keys** or **channel up / down** button on the remote control.

#### 2 Setup Wizard

The first time you switch on the TV, the Setup Wizard will guide you to complete the language selection and channel scanning.

Press the **OK** key to begin the setup process.



You can also adjust these settings using the front control panel. Please see "Front panel view" on page 4 for details.

Step 1. Select the setup language you prefer.

Step 2. Please select country.

Step 3. Ensure that your co-axial cables are connected correctly before proceeding.

Step 4. Scan for analog channels.

Step 5. Setup is now complete. You are ready to begin watching TV.

If you leave the setup process before it is complete, you will be given a choice of options:

1. Resume setup
2. Resume setup wizard at next startup
3. Exit and do not remind me

Select an option and press **OK** to exit.

#### 3 Changing channels

- a. Press 0 - 9 on the remote control to select a channel. The channel changes after 2 seconds. Press **ENTER** to select the channel immediately.
- b. Pressing the channel (**CH**) up / down button on the remote control will also change the channel.

#### 4 Adjusting the volume

Adjust the volume level using the (**VOL**) +/- button on the remote control.



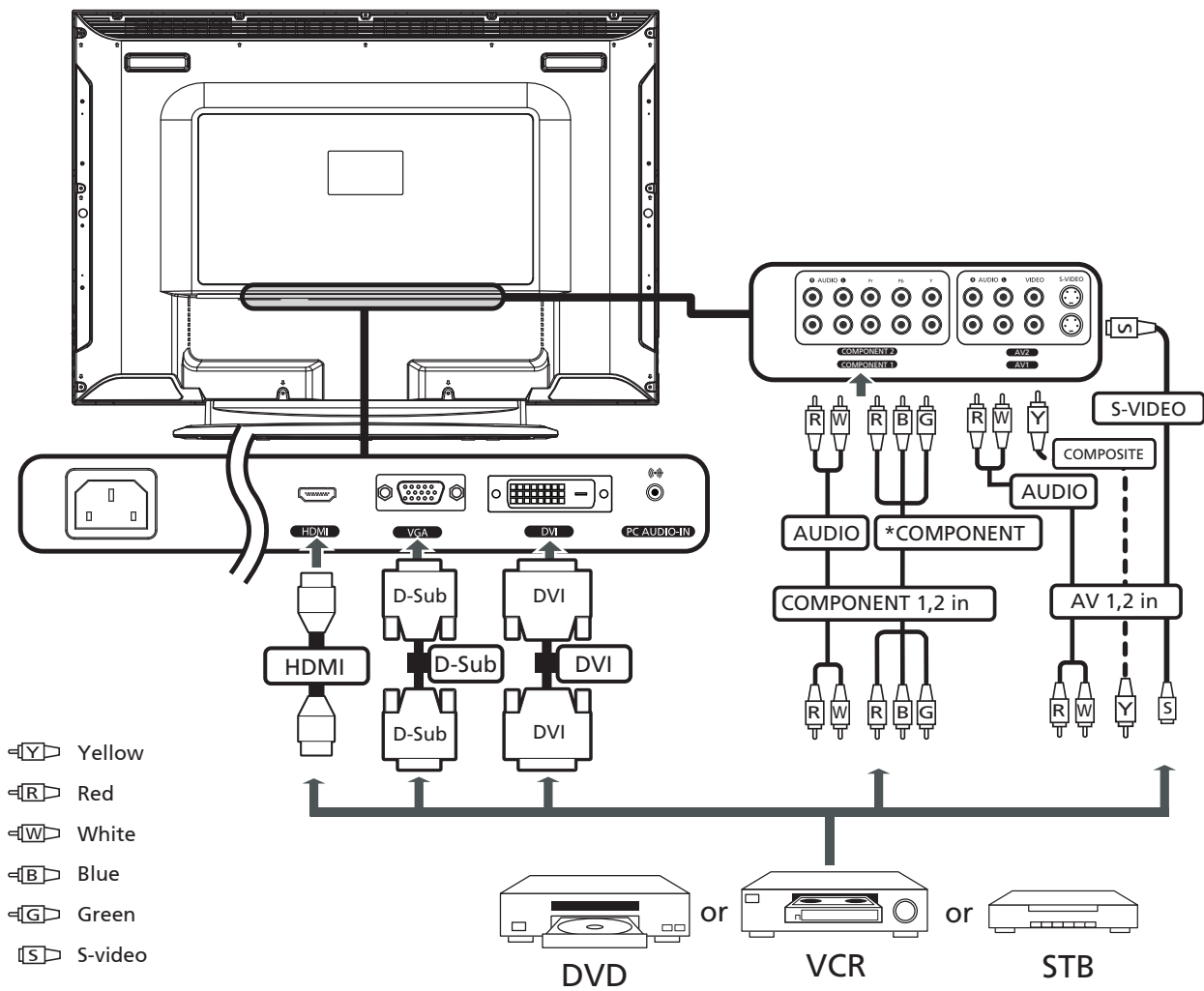
Setup may vary due to local broadcast differences.

## Connecting external audio/video devices

### Connecting a DVD, VCR, STB or audio/video equipment

Connect your DVD player, VCR or audio/video equipment using the SCART port located at the rear of your LCD TV as shown below.

#### Source-IN



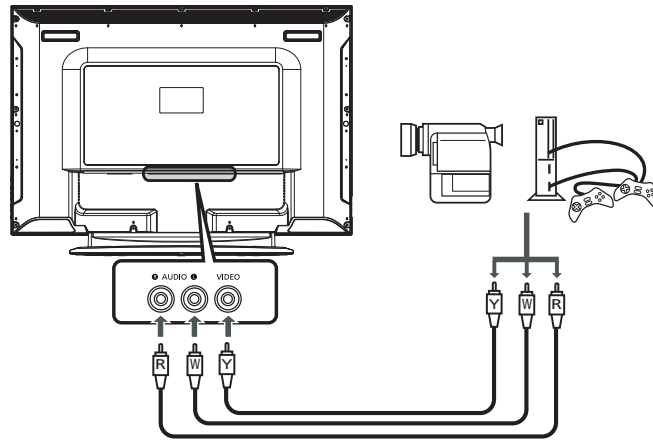
\* Acer recommends the following priority for connection types:  
HDMI -> DVI -> D-Sub -> COMPONENT -> S-Video -> Composite.





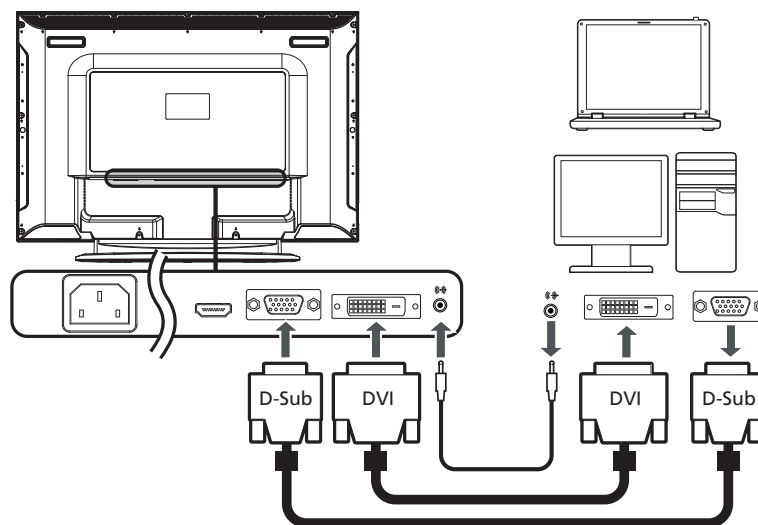
## Connecting a camera, camcorder or video game

Connect your camera or camcorder to the video/audio ports on the rear of the TV set as shown below.



## Connecting a PC or notebook computer

To display PC output on your TV, connect your PC or notebook computer to the TV as shown below.

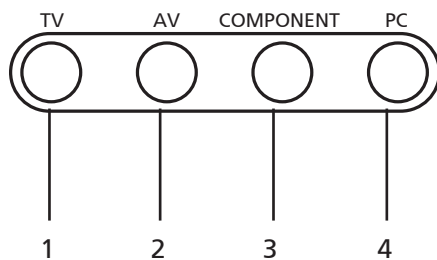


For VGA and DVI input, Acer recommends setting your PC's external monitor resolution to 1360 x 768 pixels @ 60 Hz refresh rate.

## Selecting the input source

Once you have connected your antenna or external equipment to the TV, you need to select the correct input source.

Press the corresponding button on the remote control to select the correct input source.



### Input button guide:

- 1 **TV key**  
Toggle Analog TV (ATV) between input sources.
- 2 **AV key**  
Toggle AV1, AV2 and HDMI between input sources.
- 3 **COMPONENT key**  
Toggle COMPONENT1 and COMPONENT2 between input sources.
- 4 **PC key**  
Toggle VGA and DVI between input sources.

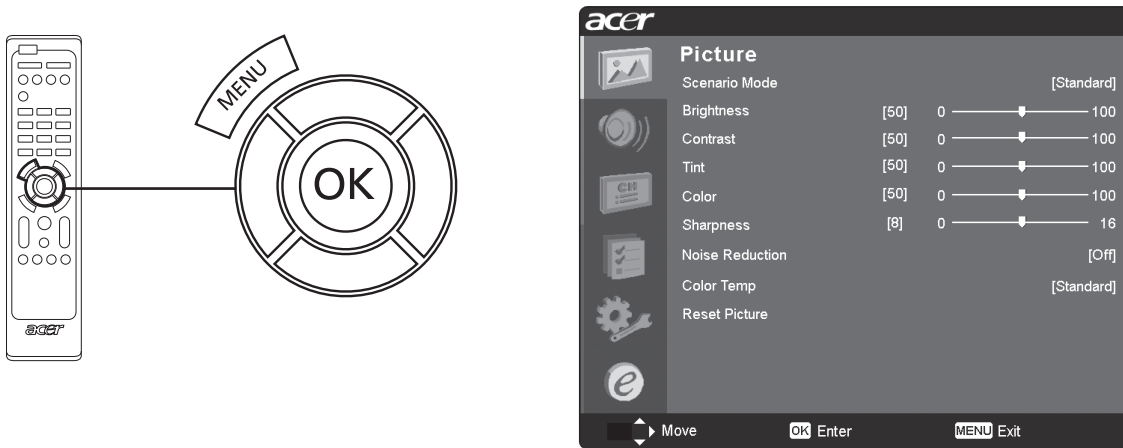


## OSD navigation

Many of the advanced settings and adjustments are available through using the OSD (onscreen display) menu, as shown in the example screenshot below.

Basic operations required to navigate these menus (Picture, Audio, Channel management, Options, Settings ,and Empowering) are described in this section.

### Navigating the OSD with the remote control



You can also interact with these menus using the front panel controls. Please see "Front panel view" on page 4 for details.

There are six main OSD menus. These are: Picture, Audio, Channel management, Options ,Settings and Empowering. Use the following method to navigate these menus.

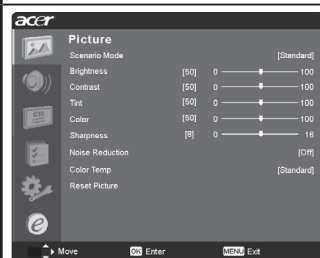
1		Press the <b>MENU</b> button on the remote control or the <b>MENU</b> button on the control panel.
2		Select your desired menu by using the up and down <b>directional keys</b> to switch between the six menus.
3		Use the <b>directional keys</b> to interact with the menu. The up / down directions will scroll through the menu options, while left/right will adjust the different settings (for example, in the Picture menu, settings such as brightness, contrast, etc.). Press <b>MENU</b> to exit.

## Adjusting the OSD settings

The OSD can be used for adjusting the settings of your LCD TV.

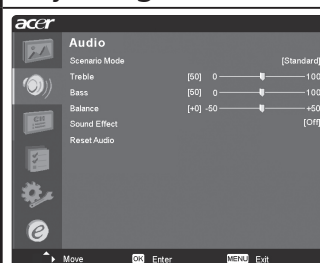
Press the **MENU** key to open the OSD. You can use the OSD to adjust the picture quality, audio settings, channel settings, options, general settings, and Empowering Technology. For advanced settings, please refer to following page:

### Adjusting the picture quality



- 1 Press the **MENU** key to bring up the OSD.
- 2 Using the directional keys, select **Picture** from the OSD. Then navigate to the picture element you wish to adjust.
- 3 Use the left or right keys to adjust the sliding scales.
- 4 The **Picture** menu can be used to adjust the current Scenario mode, brightness, contrast, color, sharpness and other image-related qualities.

### Adjusting the audio settings



- 1 Press the **MENU** key to bring up the OSD.
- 2 Using the directional keys, select **Audio** from the onscreen display. Then navigate to the feature you wish to adjust.
- 3 Use the left or right keys to adjust the sliding scale. Press **OK** to save.
- 4 The **Audio** menu can also be used to adjust the treble, balance, sound effects and other important sound-related settings.

### Adjusting the channel management



- 1 Press the **MENU** key to bring up the OSD.
- 2 Using the directional keys, select **Channel management** from the OSD.
- 3 Use the directional keys to navigate the menus.
- 4 The **Channel management** menu can be used to set channel skipped, select TV system and scan channels automatically.

### Adjusting other options



- 1 Press the **MENU** key to bring up the OSD.
- 2 Using the directional keys, select **Options** from the OSD.
- 3 Use the directional keys to navigate the menus.
- 4 The **Options** menu can be used to select the picture aspect-ratio mode, set the sleep timer and other important options.

### Adjusting the settings

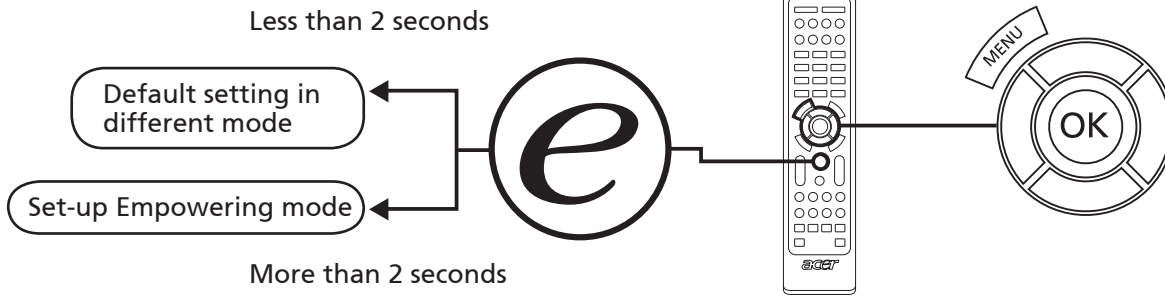


- 1 Press the **MENU** key to bring up the OSD.
- 2 Using the directional keys, select **Settings** from the OSD. Then navigate to the feature you wish to adjust.
- 3 The **Settings** menu can be used to adjust the menu language and other important settings.



The options available on the OSD may vary depending on the TV signal source.


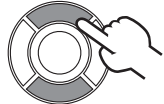
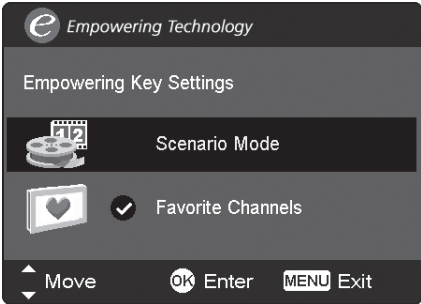

## Empowering Technology



The Empowering Key opens up the Acer Empowering Technology functions. In TV mode, the choice is between Scenario mode and Favorite channel; see page 13 for details. The default setting for both modes is Scenario mode.

## Set-up Empowering mode


To change your Empowering Key's default setting:

1		Press and hold the <b>Empowering Key</b> for more than <b>two seconds</b> to open the menu.
2		<p style="text-align: center;">More than 2 seconds</p>  <p style="text-align: center;"><b>TV mode Empowering Key settings menu</b></p>
3		Press <b>MENU</b> to exit. Now, when you press the Empowering Key, your chosen selection will be accessed.

## Default setting in different Empowering mode

### Scenario mode in TV (default setting)



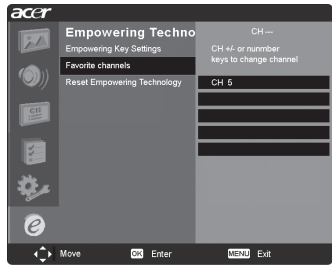

Scenario mode has five preset viewing modes designed to give you the best picture quality when watching a particular kind of program. There are five pre-defined audio and video settings for optimal enjoyment of the following scenarios: Standard TV, Movie, Sport, Concert, Game, User.

	Pressing the <b>Empowering Key</b> for less than <b>two second</b> will toggle between the different modes.
Mode	Information
Standard	Standard mode allows you to watch your favorite channels with sharp, brilliant imagery via adaptive brightness and contrast adjustments, and listen to clear-sounding audio.
Movie	For comfortably enjoying movies at home, Movie mode displays dim scenes in clear detail; compensates for color; and smoothly presents motion images. This is accomplished through optimal Gamma correction plus saturation, brightness and contrast adjustments. Movie mode makes the most of high-definition movie soundtracks.
Game	Game mode carefully details the exquisite graphics of modern video games, providing lifelike entertainment while protecting your eyesight by adjusting brightness and contrast. What's more, Game mode provides a heightened audio experience.
Sports	Sports mode is suited for outdoor sports programs, with accurate background depth and clear gradation between the bright, outdoor playing field and darker auditoriums. Sports mode also brilliantly enhances colors and presents swiftly moving pictures without residual images. All of this is achieved via specific Gamma corrections and saturation adjustments. Precise audio can be heard.
Concert	Concert mode places you in a virtual concert hall, opera house or other dim environment by means of adaptive brightness and contrast adjustments. Concert mode accentuates symphonic harmonies and the tenor audio range.

### Favorite channel mode in TV

Favorite channel allows you to store five of your favorite TV channels and flick between them at the touch of a single button.

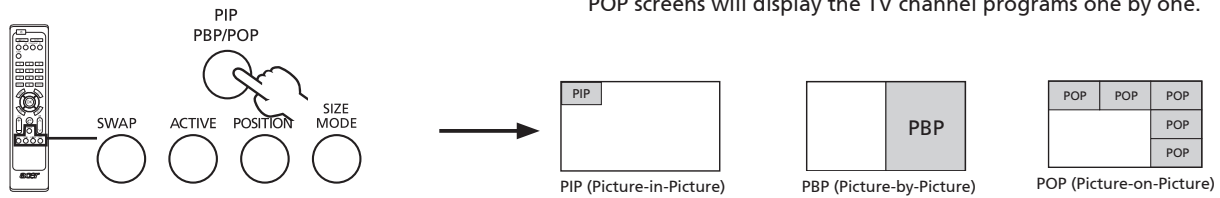
To set Favorite channel as the default, follow the steps described on page 12.

Storing favorite channels	
1	 <p>Select your desired channel, then press the <b>MENU</b> key on the remote control.</p>
2	 <p>Use the <b>directional keys</b> to navigate the menu and select the Empowering Technology icon.</p>
3	 <p>Navigate to a channel slot, use CH up/down button or number key to change channel.</p> <p>There are a total of five slots in which you can store TV programs.</p>
Viewing your favorite channels	
	 <p>On the remote control, if you press the <b>Empowering Key</b> for less than two second, the TV will toggle between the five stored TV channels sequentially according to your list of favorites.</p>

# Advanced features

## PIP/PBP/POP

- Press the PIP/PBP button once to display activate picture-in-picture (PIP).
- Press twice to activate picture-by-picture (PBP).
- Press three times to activate picture-on-picture (POP). Then, the POP screens will display the TV channel programs one by one.



1. The OSD menu is not available in PIP/POP/PBP modes.

PIP		1a. Press the <b>ACTIVE</b> key to toggle between PIP screens.
		1b. Press the <b>TV, AV, COMPONENT</b> or <b>PC</b> keys, number keys or <b>CH</b> up or down to change the content of the active screen.
		2. Press the <b>SWAP</b> key to change the content between the primary and the subscreen.
		3. Press the <b>POSITION</b> key to select the location of the subscreens, from upper left -> upper right -> lower right -> lower left, as shown in the image.
		4. Press the <b>SIZE/MODE</b> key to select the size of the subscreen, from 25% -> 37.5% -> 50%, as shown in the image.



PBP		1a. Press the <b>ACTIVE</b> key to toggle between PBP screens.
		1b. Press the <b>TV</b> , <b>AV</b> , <b>COMPONENT</b> or <b>PC</b> keys, number keys or <b>CH</b> up or down to change the content of the active screen.
		2. Press the <b>SWAP</b> key to change the content between the primary and the PBP screen.
POP		1a. Press the <b>ACTIVE</b> key to toggle between POP screens.
		1b. Press the number keys or <b>CH</b> up or down to change the TV channel on the active screen.
		2. Press the <b>SIZE/MODE</b> key to access the 1 + 5 or 1+12 picture-on-picture mode as shown in the image.



1. In PIP and PBP, the VGA and DVI sources only support input up to 1360x768 pixels at 60 Hz. For resolutions higher than this, "Out of Range" will be displayed.
2. The POP can only support 1+12 when the main screen source is HD content or in VGA mode.

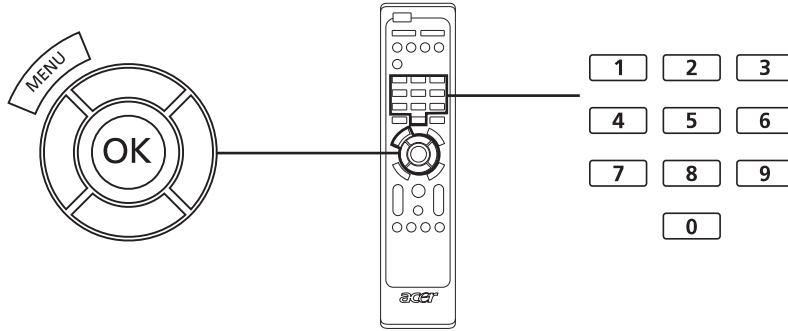


## Lock TV

### Locking TV content

Lock TV is a handy feature that can block all TV sources.

Lock TV allows you to enter a password and effectively stop anyone without the password from watching TV.



To enable this feature:

Setting a personal PIN		
1		<p>Press the <b>MENU</b> key on the remote control to bring up the OSD.</p>
2		Use the <b>directional keys</b> to navigate to the  Settings menu. Then select <b>Set PIN</b> . (see note)
3		Enter a four-digit password. Type it again and press <b>OK</b> to reconfirm.
4		Press <b>MENU</b> to exit.



Note: The default PIN for this TV is "0000." First enter "0000" when you want to change the PIN. If you forget your PIN, please enter 6163 to reset.






Locking your TV		
1		<p>Press the <b>MENU</b> key on the remote control to bring up the OSD.</p>
2		Use the <b>directional keys</b> to navigate to the  Settings menu. Then select <b>Lock TV</b> .
3		Enter your PIN. Type it again and press <b>OK</b> to reconfirm. (see page 16 note)





## Parental Control

### Setting Up Your Personal ID Number (PIN)

When in TV, AV, you can find the Parental Control feature by entering the  Settings menu. The first time you use the Parental Control feature, enter the default PIN number, 0000, to activate the V-CHIP. This prevents children from accessing restricted content and channels.

To change your PIN, follow these steps:

Menu > Settings > TV Rating System > Set PIN > Enter New PIN > Confirm

If you forget your PIN, enter 6163 to reset the feature.

### Enable/Disable the V-Chip:

The U.S. has two rating systems for viewing content: TV parental guidelines and movie ratings.



### Motion Picture Association of America (MPAA) ratings

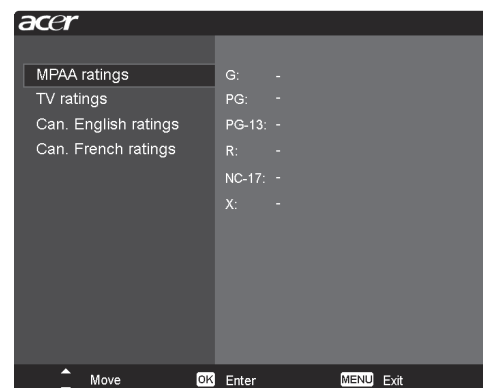
The MPAA system is used mainly for rating movies.


The categories are as follows:

Rating	Description
G	General audiences.
PG	Parental guidance suggested.
PG-13	Parents guidance for children under 13.
R	Restricted. Under 17 requires accompanying parent or adult guardian
NC-17	No one 17 and under admitted.
X	X (Adults only)

- To set MPAA, use the following method to access:

Menu > Settings > TV Rating System > MPAA > Set Rating



(  indicates the item is blocked)

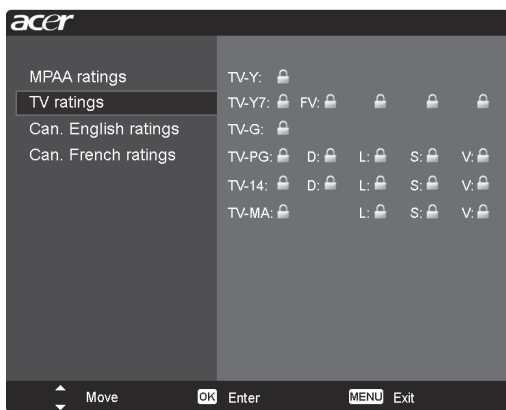


## TV ratings:

Access to most programs and movies on television can be controlled using the TV ratings.

The categories are as follows:

TV Rating	Content				
	FV (Fantasy violence)	V (Violence)	S (Sexual situation)	L (Adult language)	D (Sexually suggestive dialog)
TV-Y (All children)					
TV-Y7 (Directed to older children)	V				
TV-G (General audience)					
TV-PG (Parental guidance suggested)		V	V	V	V
TV-14 (Parents strongly cautioned)		V	V	V	V
TV-MA (Mature audience only)		V	V	V	



- To set or change the TV ratings system, use the following method:  
Menu > Settings > TV Rating System > TV ratings > Set Rating  
Click on a rating category to block it.  
(🔒 indicates the item is blocked)
- The TV-Y7, TV-PG, TV-14 and TV-MA settings have additional options for blocking content. The TV content control menu will show the appropriate items for your current TV ratings setting. Use the following method to alter the content settings:  
Menu > Settings > TV Rating System > TV Content Ctrl. > set content  
(🔒 indicates the item is blocked)



The V-chip will automatically block categories that are rated as "more restricted." For example, if you block the TV-G, then all the categories in the "young adult" group will automatically be blocked (TV-G, TV-PG, TV-14 and TV-MA). The content control (FV, V, S, L, D) and the Canadian Rating Systems work similarly.



## Canadian rating Systems

Canada has two systems for rating Television content: Canadian English ratings and Canadian French ratings.


### Canadian English ratings

The categories are as follows:

Rating	Description
C	Children under 7 years old
C8+	Children over 8 years old
G	General audiences
PG	Parental guidance suggested
14+	Over 14 years old
18+	Adults

- To set CAN.English, use the following method to access:  
Menu > Settings > TV Rating System >  
CAN.English ratings > Set Rating



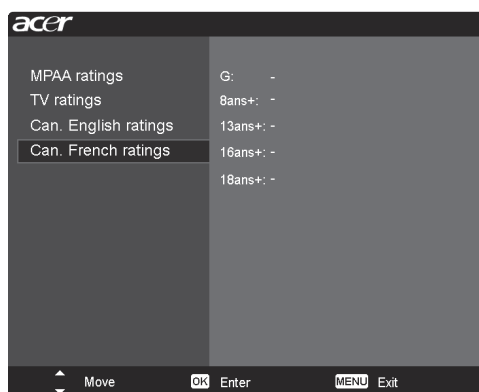
(  indicates the item is blocked)


### Canadian French ratings

The categories are as follows:

Rating	Description
G	Gernal
8ans+	Children over 8 years old
13ans+	Over 13 years old
16ans+	Over 16 years old
18ans+	Over 18 years old

- To set CAN.French, use the following method to access:  
Menu > Settings > TV Rating System >  
CAN.French ratings > Set Rating

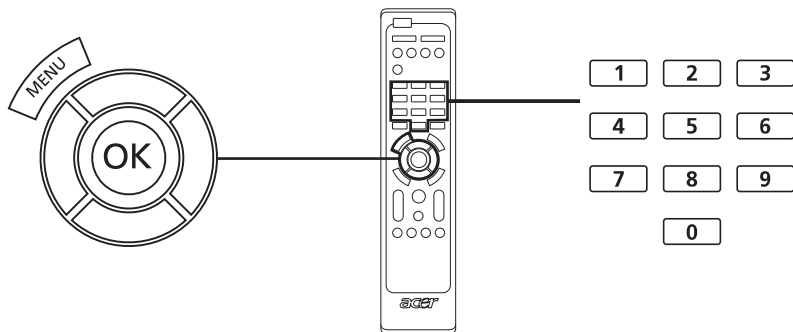


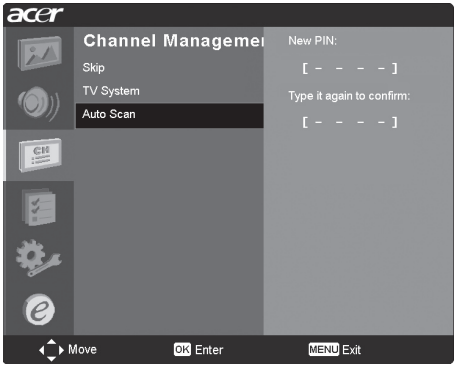
(  indicates the item is blocked)

## Re-scan for channels

The first time you completed the setup wizard, all available channels were listed. If you need to re-scan for new channels, please follow the steps below:

English



Scanning for channels		
1		Press the <b>MENU</b> key on the remote control to bring up the OSD.
2		Use the <b>directional keys</b> to navigate and select  Channel Management.
3		 <p>Highlight <b>Auto Scan</b>. Then, select Start and press OK to begin.</p>
4		Select <b>OK</b> and press <b>MENU</b> to exit.



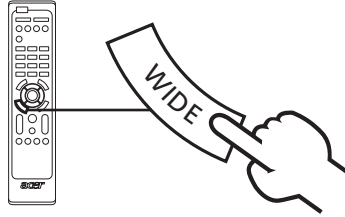
## Widescreen display mode

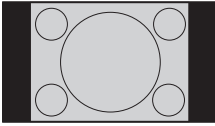
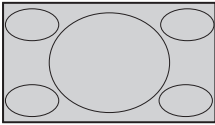
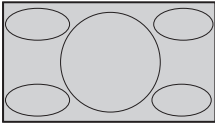
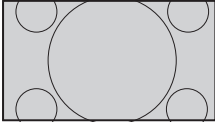
Your Acer LCD TV has a special widescreen mode that allows you to toggle between 4:3, 16:9, Panorama, and Letterbox 1, 2 and 3 type views.

Press the **WIDE** key on the remote control to toggle the display between the four wide modes.

### Wide mode

The Acer LCD contains four widescreen modes, including 4:3, 16:9, Panorama, and Letterbox 1, 2 and 3.



4:3	For 4:3 standard pictures. A side bar appears on each side.
	In this mode, the whole picture is stretched toward each side of the screen.
16:9	In this mode, the whole picture is stretched toward each side of the screen.
	In this mode, the picture is progressively stretched toward each side of the screen.
Panorama	In this mode, the picture is progressively stretched toward each side of the screen.
	In this mode, the picture is enlarged linearly to fit the screen. The top and bottom portions of the picture may be cut off.
Letterbox 1, 2, and 3	In this mode, the picture is enlarged linearly to fit the screen. The top and bottom portions of the picture may be cut off.
	

## Troubleshooting

Before you call the Acer service center, please check the following items:

Here is a list of possible situations that may arise during the use of your LCD TV. Easy answers and solutions are provided for each.

### There is no picture or sound.

- Make sure the power cord is properly inserted in the power outlet.
- Make sure the input mode is correctly set by your selected input.
- Make sure the antenna at the rear of the TV is properly connected.
- Make sure the main power switch is turned on.
- Make sure the volume is not set to minimum or the sound is not set to mute.
- Make sure the headphones are not connected.
- Reception other than those of broadcasting stations can be considered.

### Picture is not clear.

- Make sure the antenna cable is properly connected.
- Consider whether your TV signal is being properly received.
- Poor picture quality can occur due to a VHS camera, camcorder, or other peripheral being connected at the same time. Switch off one of the other peripherals.
- The 'ghost' or double image may be caused by obstruction to the antenna due to high-rise buildings or hills. Using a highly directional antenna may improve the picture quality.
- The horizontal dotted lines shown on the pictures may be caused by electrical interference, e.g., hair dryer, nearby neon lights, etc. Turn off or remove these.

### Picture is too dark, too light or tinted.

- Check the color adjustment.
- Check the brightness setting.
- Check the sharpness function.
- The fluorescent lamp may have reached the end of its service life.

### Remote control does not work.

- Check the batteries of the remote control.
- Make sure the remote sensor window is not under strong fluorescent lighting.
- Try to clean the remote control sensor lens on the TV with a soft cloth.
- Use the buttons (hotkeys) on the TV before the remote control works.

If the above suggestions do not solve your technical issue, please refer to the warranty card for service information.

## Product specifications

Model	AT3220A	AT3720A	AT4220A
<b>Panel spec</b>			
Resolution (pixels)	1366 x 768		
Brightness (tpe.)	500 nits		
Contrast Ratio (tpe.)	1200:1		
Display color	16.7 M		
Viewing angle (tpe.)	H: 176° ; V:176°	H: 176° ; V:176°	H: 178° ; V:178°
Response (tpe.)	8 ms (gray to gray)		
<b>Power supply</b>			
Input	100 V ~ 240 V - AC. (50~60 Hz)		
Max. power consumption	185 W	235 W	291 W
Power saving	5 W		
<b>Mechanical</b>			
Dimensions (W x H x D mm)	814 x 610 x 261	944 x 692 x 261	1071 x 794 x 311
Weight (Kg)	17.7	23.9	32.3
Weight (lbs)	39.3	53.1	71.8
Gross weight (Kg)	21.1	28	38.6
Gross weight (lbs)	46.9	61.7	85.8
Wall Mounting	400mm x 200mm		
<b>Analog TV system</b>			
TV Color system	NTSC		
Sound system	M		
Stereo system	BTSC/A2		
Closed Caption	Yes		
V-chip	US/Canada		
Analog TV-tuner quantity	1		
<b>Terminal</b>			
Analog Tuner In	Yes		
AV1	CVBS, S-Video, Audio R/L		
AV2	CVBS, S-Video, Audio R/L		
COMPONENT1	YPbPr/YCbCr, Audio R/L		
COMPONENT2	YPbPr/YCbCr, Audio R/L		
HDMI	YES (HDCP)		
DVI	YES (HDCP)		
VGA	YES		
PC audio-in	YES		
<b>Audio system</b>			
Speaker	10 W + 10 W		